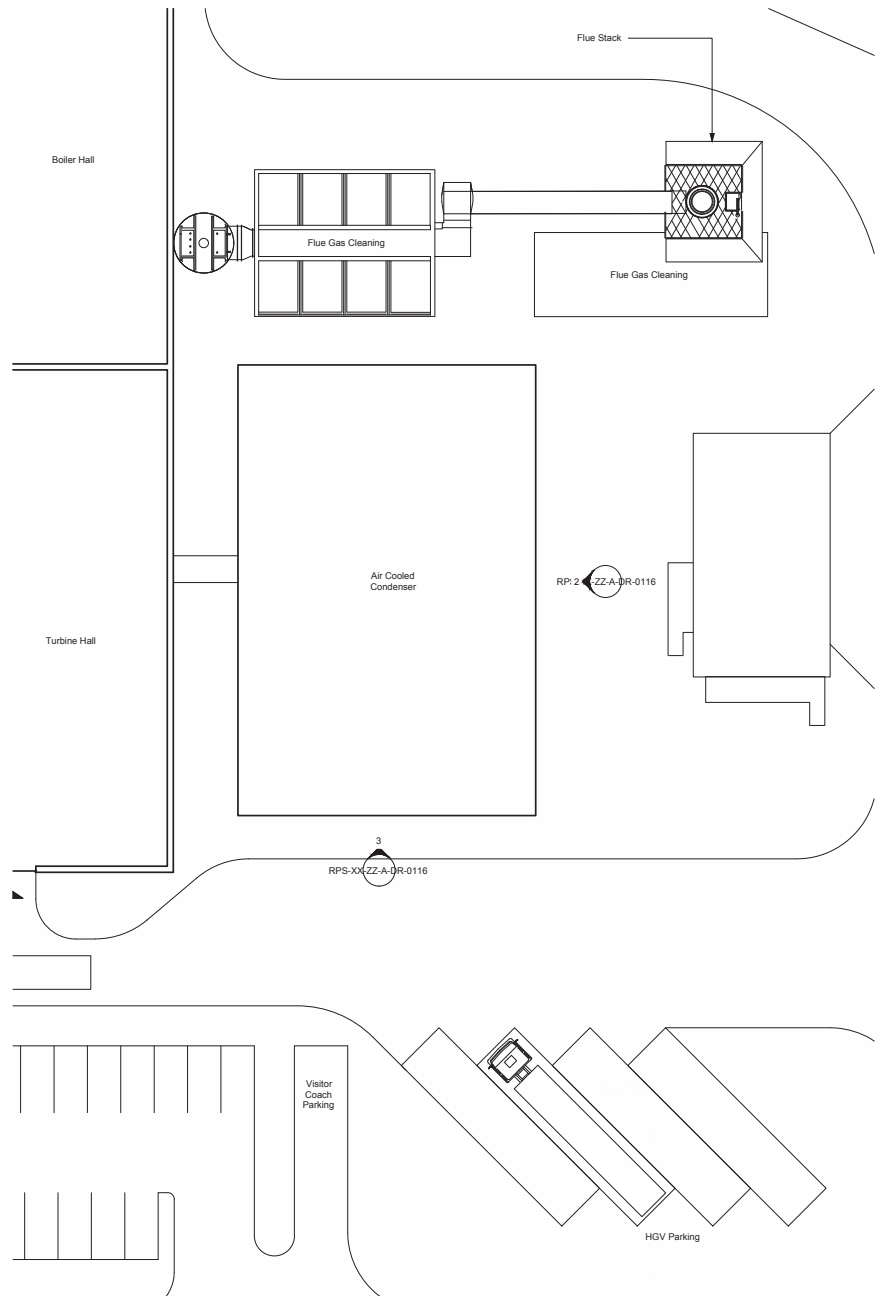
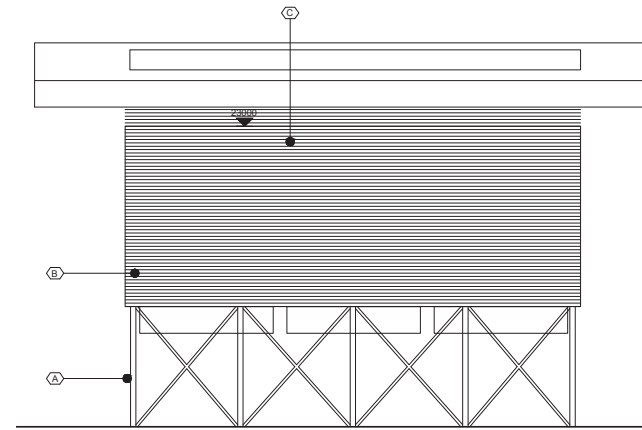


Notes

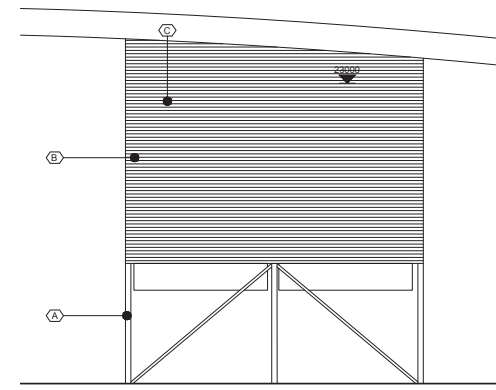
1. This drawing has been prepared in accordance with the scope of RPS's appointment with its client and is subject to the terms and conditions of that appointment. RPS accepts no liability for any use of this document other than by its client and only for the purposes for which it was prepared and provided.
2. If received electronically it is the recipient's responsibility to print to correct scale. Only written dimensions should be used.
3. This drawing should be read in conjunction with all other relevant drawings and specifications.



Air Cooling Condenser Plan
1 : 200

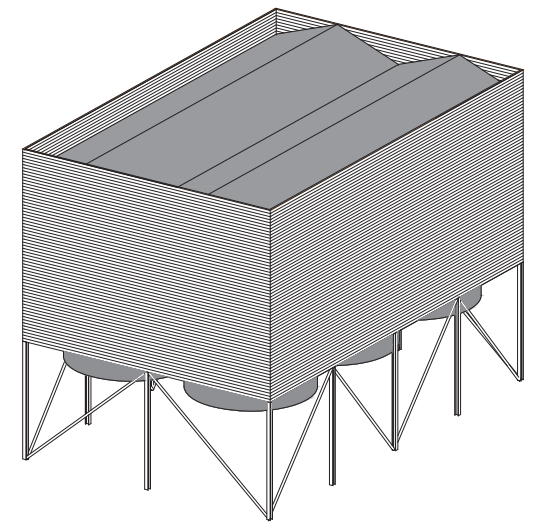


East Elevation - Air Cooling Condenser
1 : 200



North Elevation - Air Cooling Condenser
1 : 200

- (A) Exposed Structure to Air Cooling Condenser
Colour: Anthracite Grey (RAL 7016)
- (B) Vertical Built Up Wall System, Trapezoidal
- (C) Air Cooling Condenser Ducting to be galvanised



3D - Air Cooling Condenser

P02	Updates to suit new design	DEC	MJH	14.03.18
P01	Issued for Planning	HH	RJF	03.11.16
Rev	Description	By	Clkd	Date



Sherwood House, Sherwood Avenue,
Newark, Nottinghamshire, NG24 1QQ
T:01636 605 700 E: rpsnewark@rpsgroup.com

Client



Project Sussex EFW

Title Air Cooling Condenser Plan
and Elevations

Status	Scale	Date Created
Preliminary	1:200 @A1	01/11/16
Project Leader	Drawn By	Checked by
RJF	HH	RJF

Document Number	Revision	Subsity
NK018074-RPS-XX-ZZ-A-DR-0113	P02	S0