

NOTES

REVISIONS

REV	DESCRIPTION	DATE	BY
-	-	-	-

SCP
 Transportation Planning : Infrastructure Design
 31 Southampton Row, London, WC1B 6HU, Tel 020 3376 6660
 www.scptransport.co.uk, Email info@scptransport.co.uk

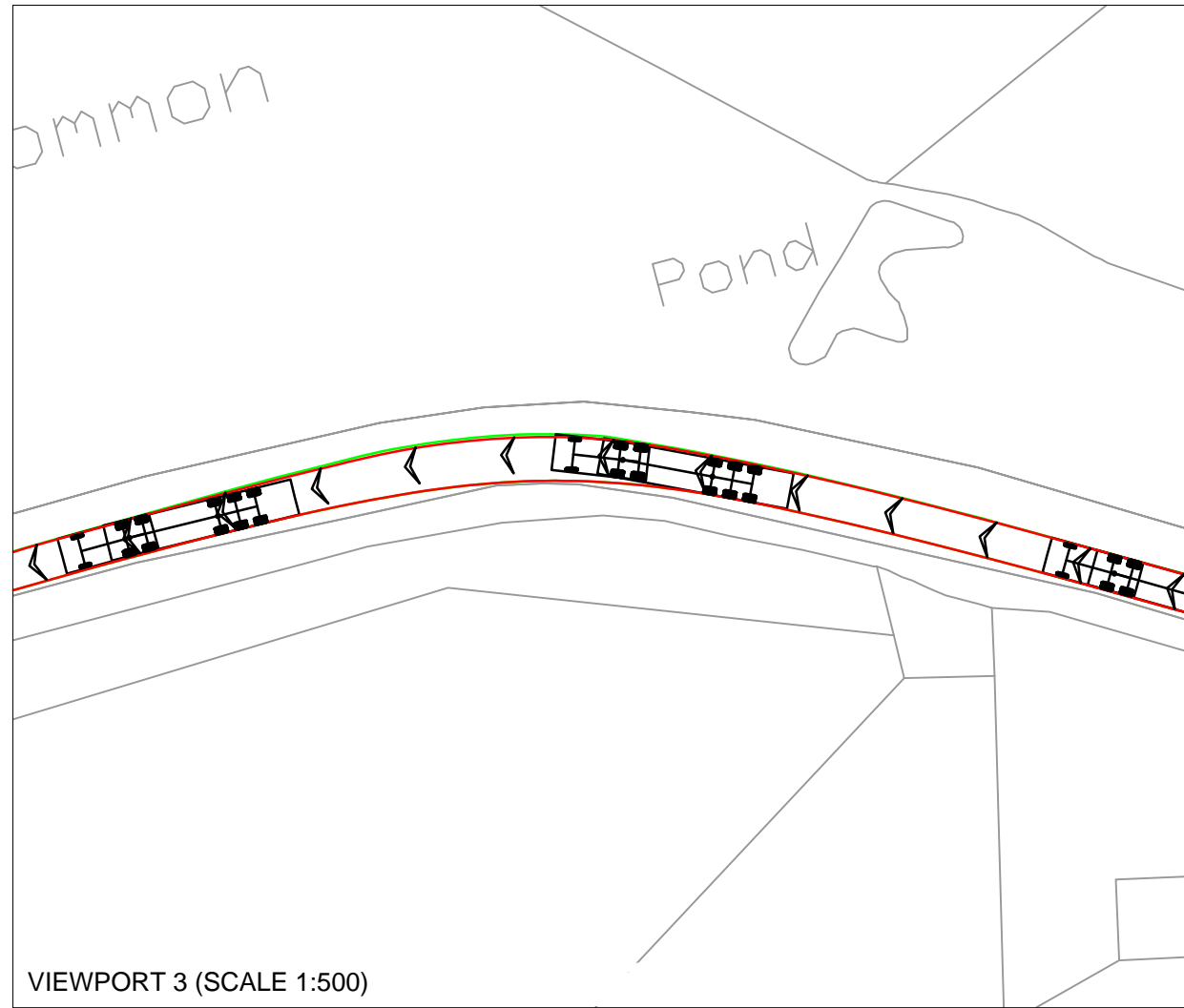
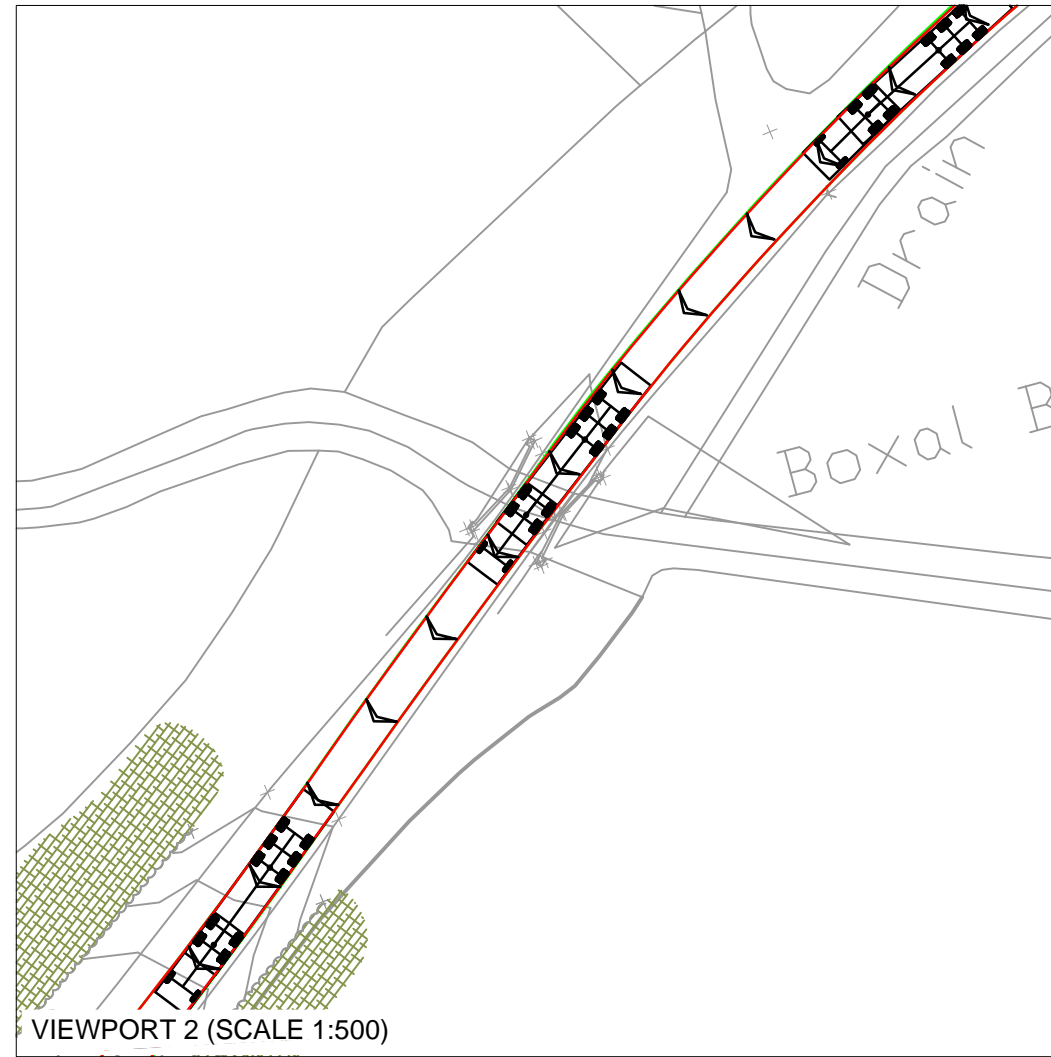
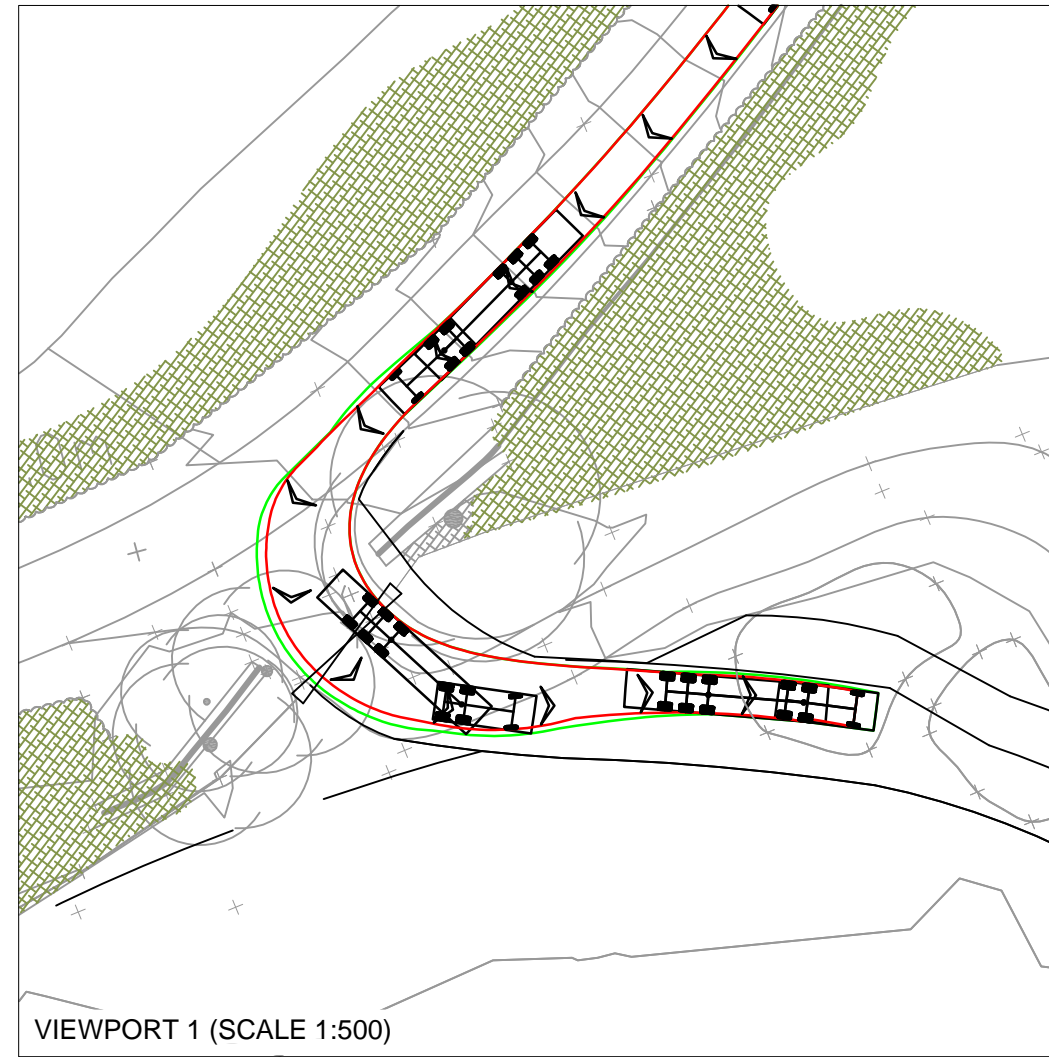
Client Name:
 CELTIQUE ENERGIE WEALD LIMITED

Project Title:
 SOUTH DOWN CARBON EXPLORATION

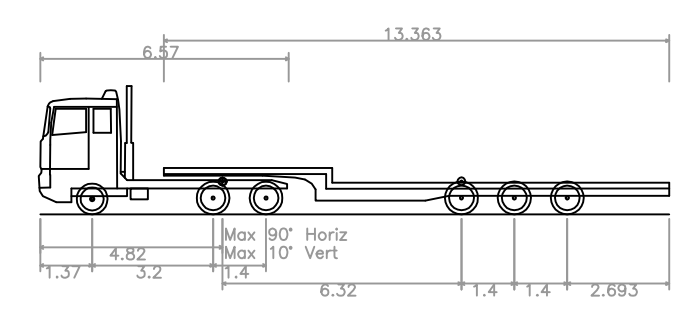
Drawing Title:
 LOW LOADER ARTICULATED HGV
 SITE ACCESS ROUTE
 SWEEP PATH INFORMATION (SHEET 2 OF 2)

Date: JULY 2014	Drawn By: IW
Scale: AS SHOWN @ A1	Checked: JR
Status: PLANNING	Approved: -

Drawing No: SCP/14809/SPA02 Rev: -



VEHICLE PROFILE



Low Loader

Overall Length	16.633m
Overall Width	2.500m
Overall Body Height	3.396m
Min Body Ground Clearance	0.320m
Max Track Width	2.500m
Lock to Lock Time	6.00s
Kerb to Kerb Turning Radius	6.790m

VIEWPORT SCALE - 1:1250