

NOTES

REVISIONS

REV	DESCRIPTION	DATE	BY
-	-	-	-

SCP
 Transportation Planning : Infrastructure Design
 31 Southampton Row, London, WC1B 6HU, Tel: 020 3376 6860
 www.scptransport.co.uk, Email: info@scptransport.co.uk

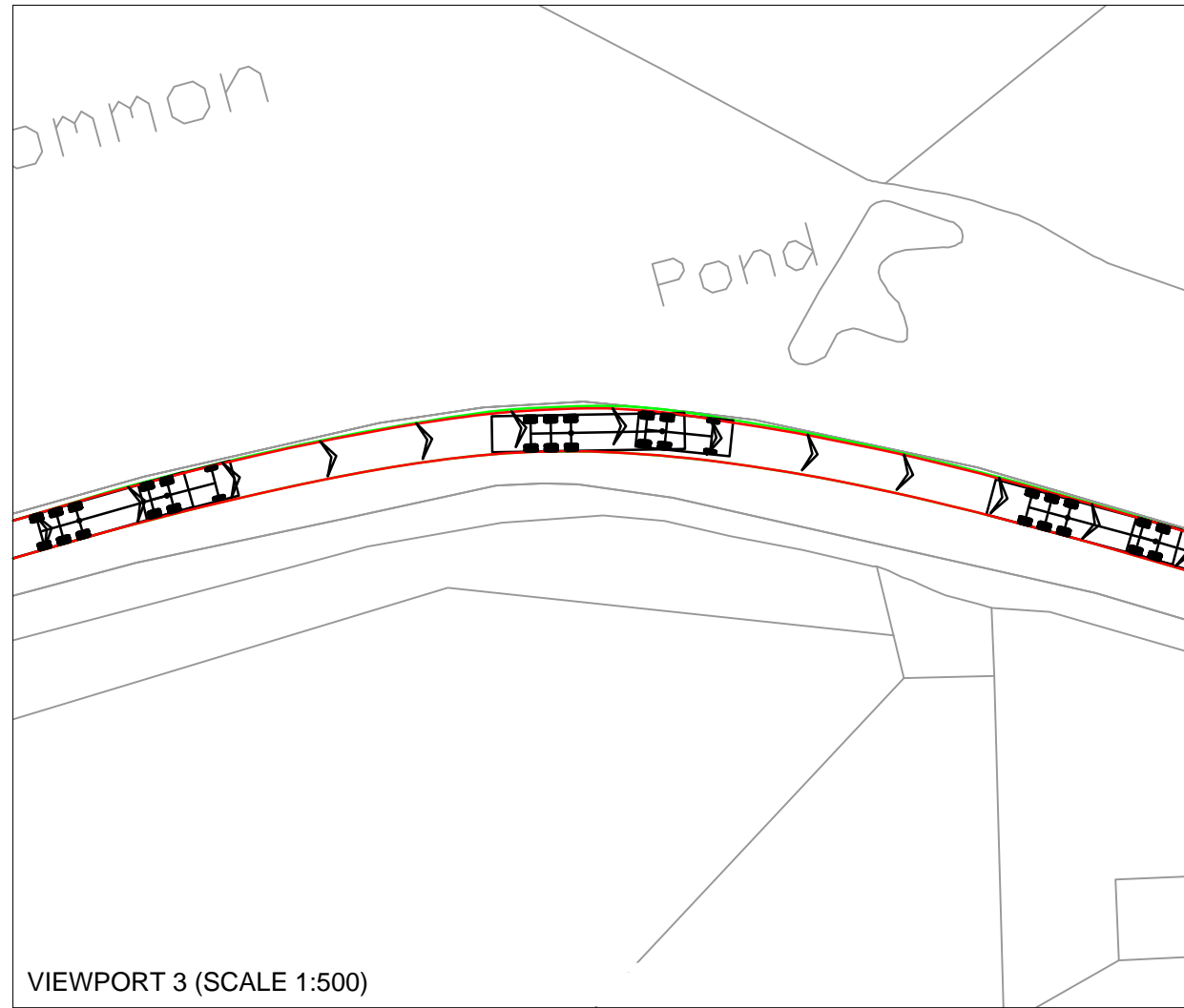
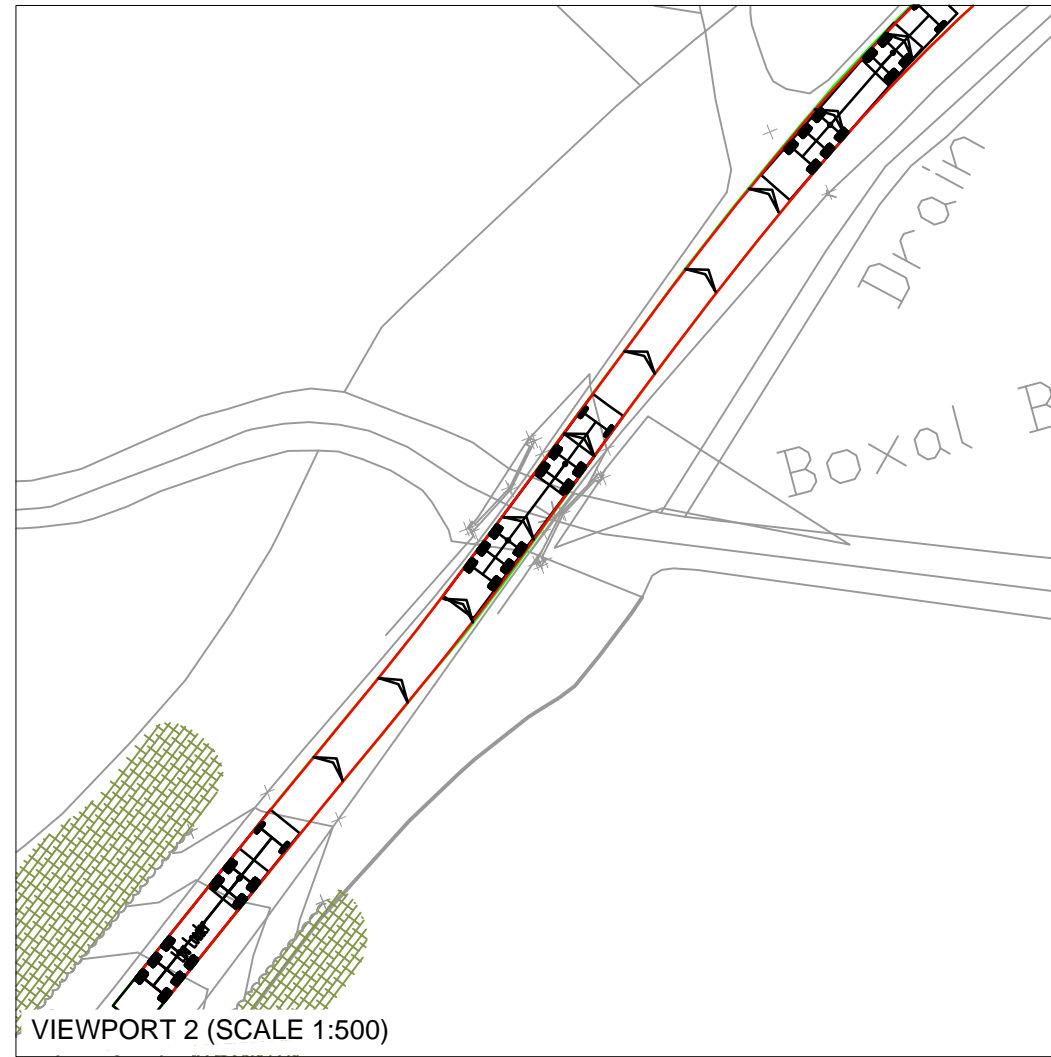
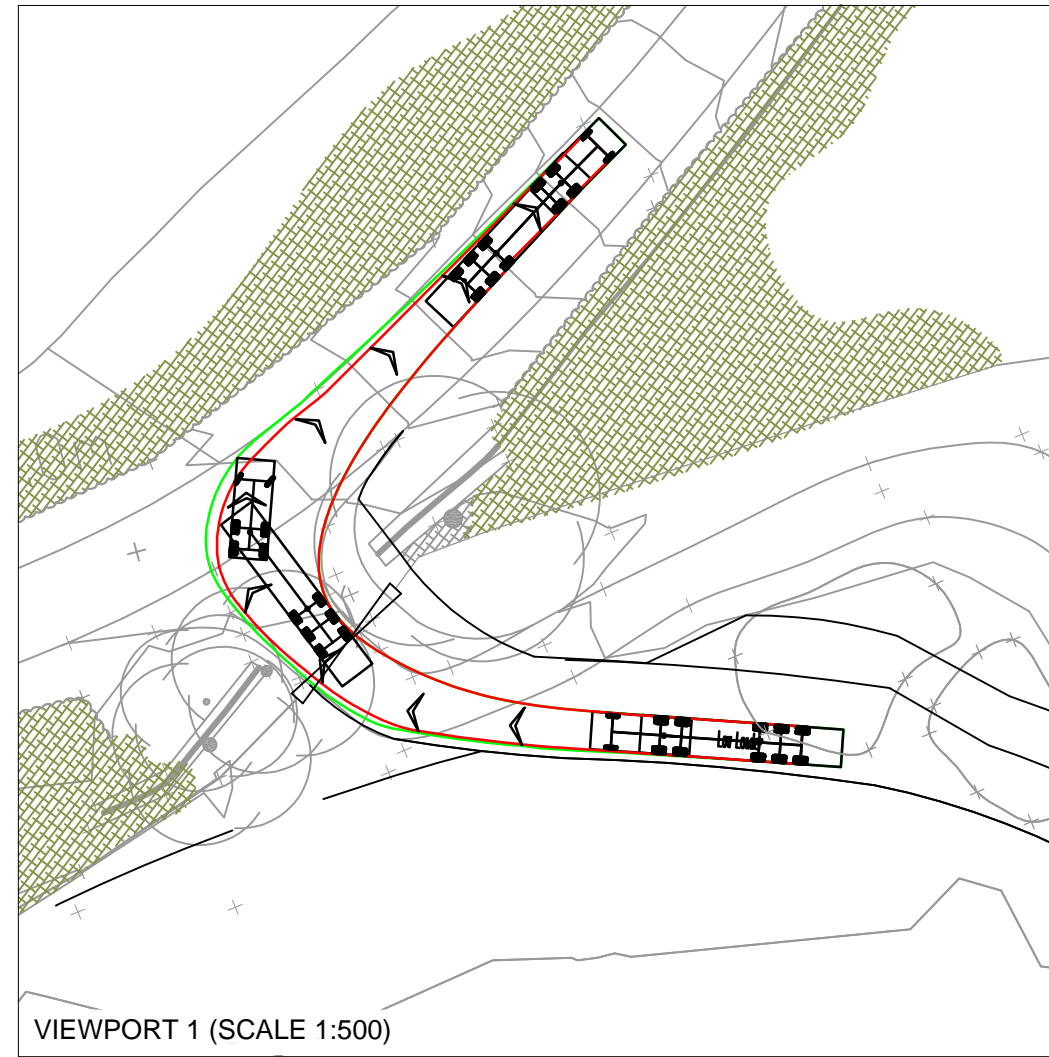
Client Name:
CELTIQUE ENERGIE WEALD LIMITED

Project Title:
SOUTH DOWN CARBON EXPLORATION

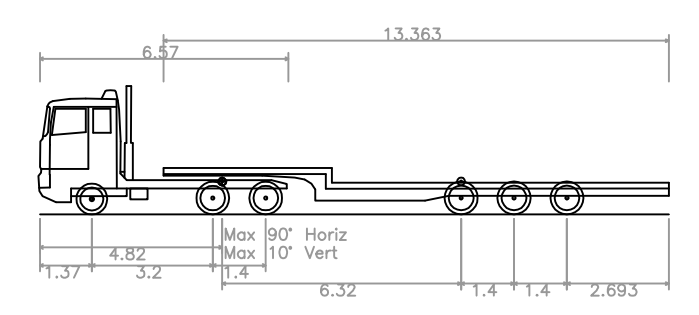
Drawing Title:
**LOW LOADER ARTICULATED HGV
 SITE EGRESS ROUTE
 SWEEP PATH INFORMATION (SHEET1 OF 2)**

Date: JULY 2014	Drawn By: IW
Scale: AS SHOWN @ A1	Checked: JR
Status: PLANNING	Approved: -

Drawing No: **SCP/14809/SPA03** Rev: -



VEHICLE PROFILE



Low Loader
 Overall Length 16.633m
 Overall Width 2.500m
 Overall Body Height 3.396m
 Min Body Ground Clearance 0.320m
 Max Track Width 2.500m
 Lock to Lock Time 6.00s
 Kerb to Kerb Turning Radius 6.790m

VIEWPORT SCALE - 1:1250