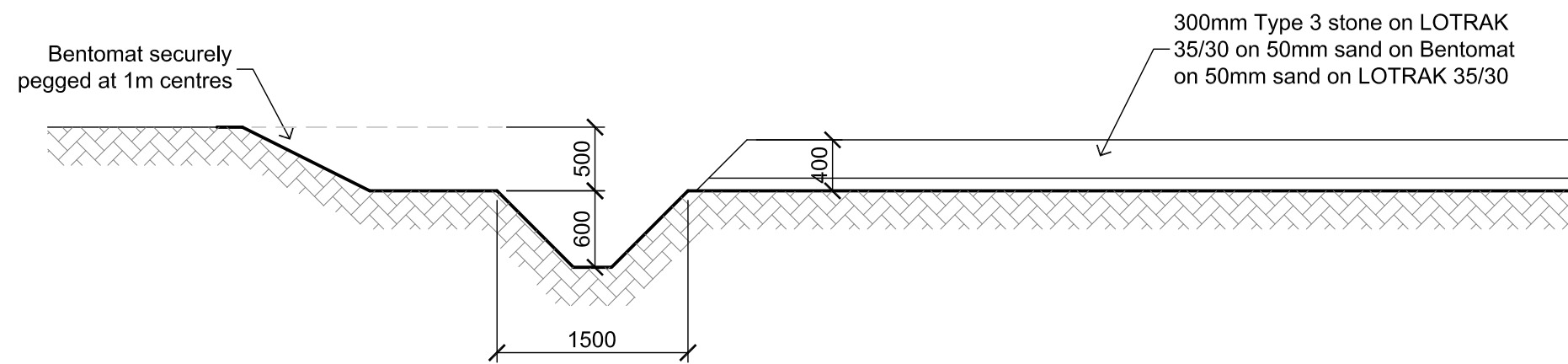
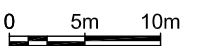


TYPICAL DITCH CONSTRUCTION IN FILL



TYPICAL DITCH CONSTRUCTION IN CUT



**R ELLIOTT ASSOCIATES LTD**  
CONSULTING STRUCTURAL & CIVIL ENGINEERS

t: (01590) 683176 f: (01590) 683533 info@rea-ltd.co.uk www.rea-ltd.co.uk



Dennett House  
Brighton Road  
Sway  
Lymington  
Hampshire  
SO41 6EB

Client	Celtique Energie Petroleum Boxal Bridge Wisborough Green West Sussex	Drawn By	AJNE	Date	April 2013	Sheet Size	A3
Job Title	Wisborough Green-1	Drawing Title				Site Construction Sections (1:50)	
		Drawing Number	3582 P 17		Revision	B	