

Tree Protection Plan

The enclosed Tree Protection Plan (TPP) has been prepared by overlaying the proposed development layout onto the existing tree survey plan. The purpose of the TPP is to illustrate the trees to be retained and the protective measures required to do so. The line of the tree protection measures (including fencing, ground protection and facilitation pruning) illustrated has been sited to avoid or reduce impacts upon retained trees wherever possible.

There are three different specifications for the tree protection fencing, set out in turn below, designed to meet the requirements for different sections of the site. All tree protection fencing shall be erected prior to works starting on site and remain in place throughout the construction and operational phases of the development.

Tree Protection Fence Specification 1 (pink hatched line on plan)

This specification for protective fencing will be used to the south of the site access from Adversane Lane and for the sections of access track which lie next to the woodland. The fencing will follow the specification for the tree protection fencing set out in Section 6.2 of BS5837:2012, "*default specification for protective barrier*" (see diagram below). This tree protection fencing shall be constructed from a vertical and horizontal framework, well braced to resist impacts. The vertical tubes will be placed with a maximum interval of 3m and driven securely into the ground. Onto this framework, welded mesh panels (such as HERAS fencing) will be securely fixed. The protection fencing shall be marked with all-weather notices bearing the words "Tree Protection Area Keep Out".

Tree Protection Fence Specification 2 (purple hatched line on plan)

Adjacent to the access track is a hedgerow which is to be retained, this hedgerow and associated root protection area lie outside of the red line. The planning permission includes the erection of a post and wire fence between the access track and hedgerow which will act as a barrier to movement back and forth. Therefore the only potential conflict associated between the development and this hedgerow is soil ingress into the root protection area due to the proximity of the soil bund. To prevent this a barrier (polythene sheeting or similar) will be erected against the post and wire fence to prevent soil movement into the root protection area from the soil bund. This barrier will be a minimum height of 50cm and extend a minimum of 0.5m past the end of the each hedgerow section.

Security/Tree Protection Fence Specification (orange hatched line on plan)

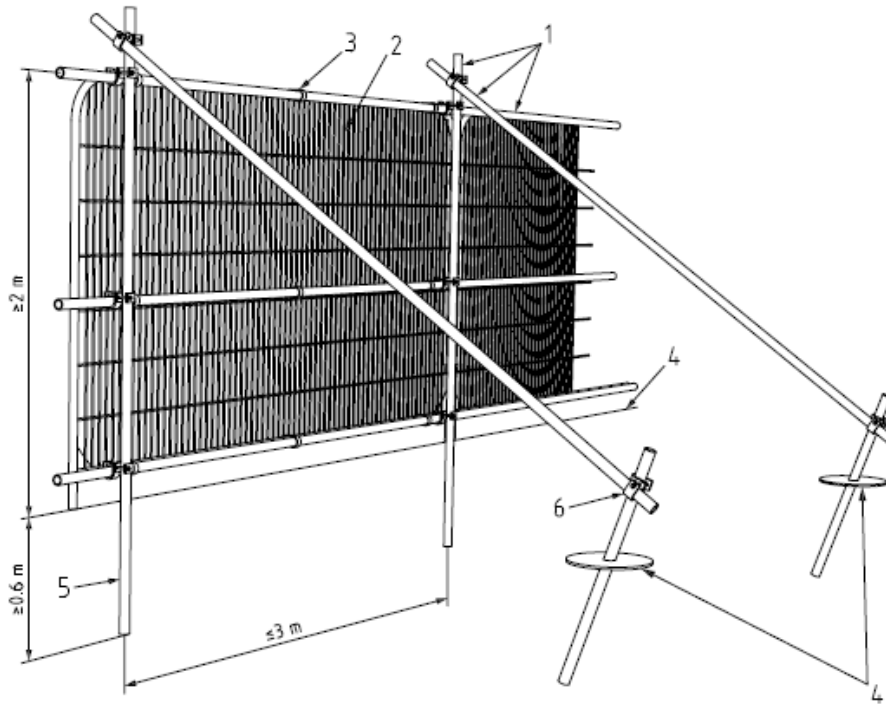
Finally, the well compound area will be surrounded by 4m security fence (see REA drawing 3261 BB SF 07 revB). This security fencing will double as tree protection fencing by preventing movement from the well compound into the areas occupied by trees.

New Tree Planting at Entrance

Following the removal of tree 2 (including removal of the stump), due to the poor physiological and structural condition of this tree, a replacement tree will be planted as close as possible to the original tree location to provide benefit to the visual amenity at the site entrance in the long term.

The tree to be planted will be a heavy standard (10-12cm girth, 350cm min height) common oak (*Quercus robur*) conforming to BS3936:1992 *Nursery stock — Part 1: Specification for trees and shrubs*. The tree shall be staked to a maximum height of 1/3 clear stem height for a maximum period of 12 months, after which time the tie and stake shall be removed.

Excerpt from BS5837:2012 - Figure 2 Default specification for protective barrier



Key

- 1 Standard scaffold poles
- 2 Heavy gauge 2 m tall galvanized tube and welded mesh infill panels
- 3 Panels secured to uprights and cross-members with wire ties
- 4 Ground level
- 5 Uprights driven into the ground until secure (minimum depth 0.6 m)
- 6 Standard scaffold clamps