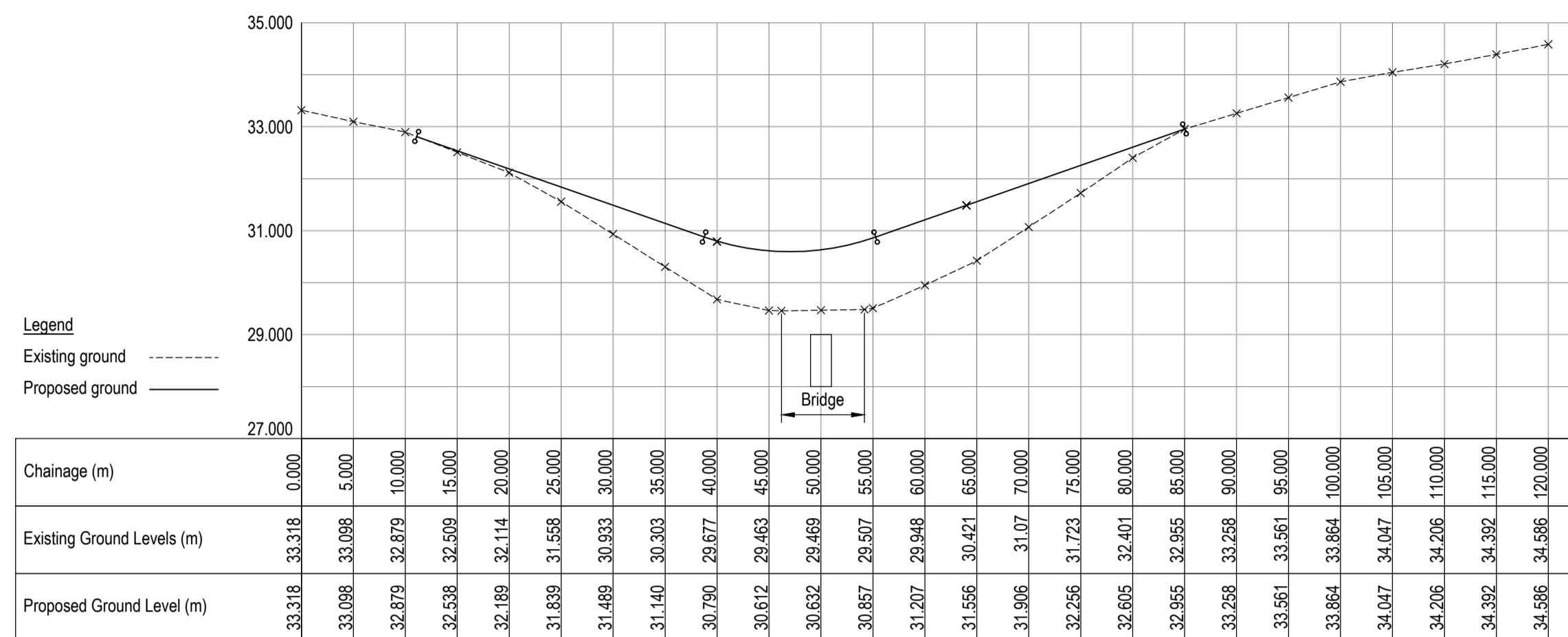


Plan on Bridge



Longitudinal Section

General Notes

- Where this drawing has been issued in electronic .dwg format it has been done so in good faith. JNP Group do not take any responsibility for any inaccuracies in the electronic data, which should be checked against the paper (or .pdf) drawing issue. Any apparent discrepancies should be immediately reported to JNP Group. The electronic .dwg file should not be assumed to be to scale and should not be used for 'overlaying', setting out or checking of any third party information. All dimensions should be taken from the paper (or .pdf) version of the drawing. Electronic drawings may contain third party information. JNP Group take no responsibility for this information, which should be checked against the originators paper drawing(s).
- All dimensions to be checked on site prior to construction/fabrication.
- Do not scale from this drawing.
- Any discrepancies between drawings of different scales, and between drawings and specification where appropriate to be notified to JNP Group for decision.
- Copyright reserved. This drawing may only be used for The Client and location specified in the title block. It may not be copied or disclosed to any third party without the prior written consent of JNP Group.
- This drawing should only be used for construction if the drawing status is "Construction". JNP Group take no responsibility for construction works undertaken to drawings which are not marked with this status.

Health & Safety Note

The details on this drawing have been prepared on the assumption that a competent contractor will be carrying out the works. If the contractor(s) considers that there is insufficient Health and Safety information on this drawing, this should immediately be brought to the attention of the designer.

HAZARD IDENTIFICATION BOX			
This table is provided to assist the Principal Contractor to fulfil their obligations under the CDM Regulations 2015			
Hazard Ref	Hazard Type	Hazard Description	Mitigation Measures/ Residual Risk
	Construction/ Maintenance/ Change/ Operation/ Maintenance		

Rev	Date	Description	Drn / CHK / Appd
-	03/06/2021	For Planning	EM/AM/HM

Subsidiary: S4 - Suitable for Stage Approval

JNP GROUP
CONSULTING ENGINEERS

Chesham • Brighouse • Glasgow • Hartlepool
Leamington Spa • Sheffield

www.jnpgroup.co.uk

Client: **Loxwood Clay Pits Ltd**

Job: **Loxwood Clay Pit**

Title: **Track and Bridge Upgrade Existing Plan and Long Section**

Classification: FI_60_20
Scale @ A1: As Shown

ENTRAN **HAS** **Constructionline**

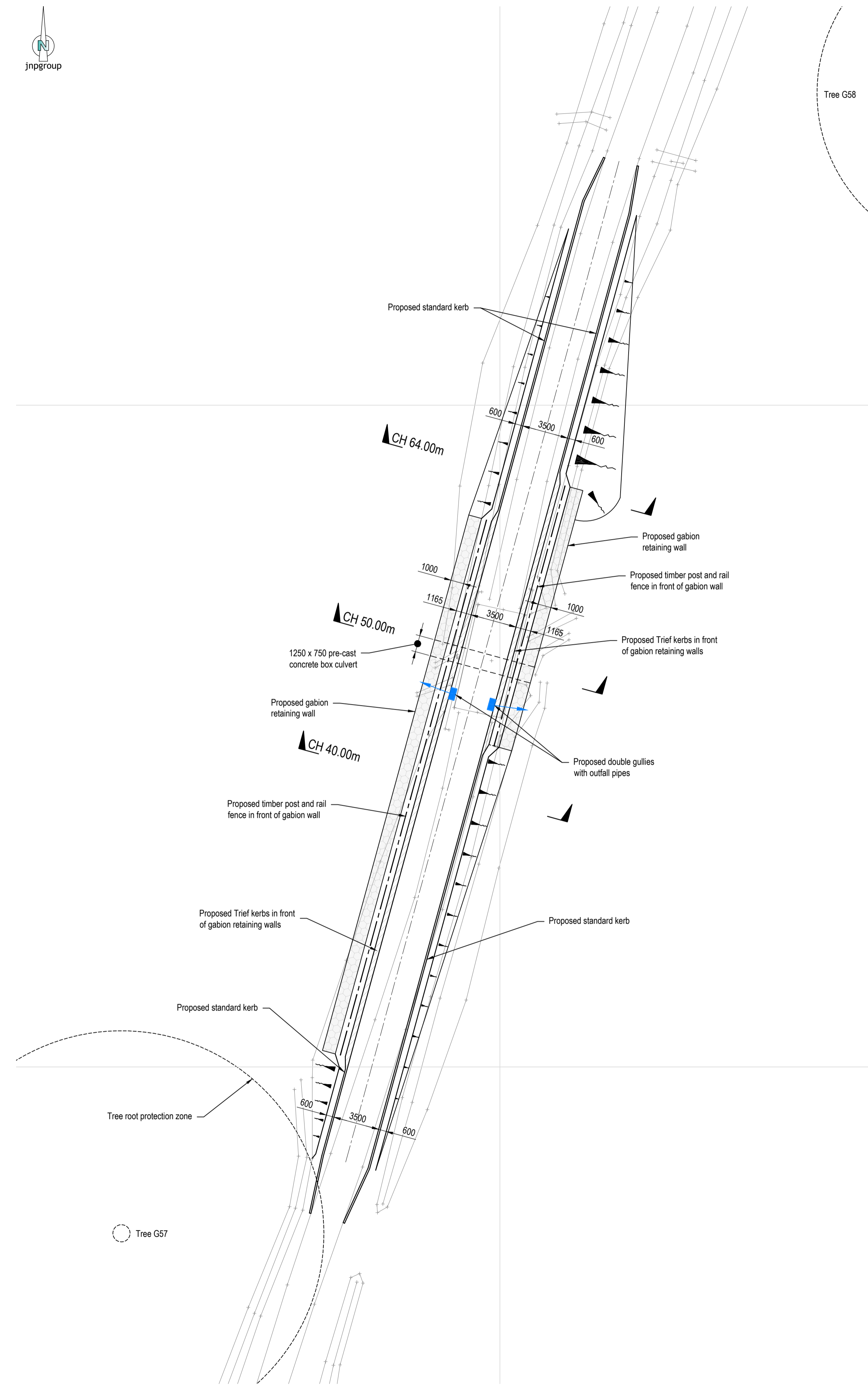
Project: Originator - Volume/System - Level/Location - Type - Discipline - Number
C86537 - JNP - XX-XX- DR - S - 2001

Revision: -

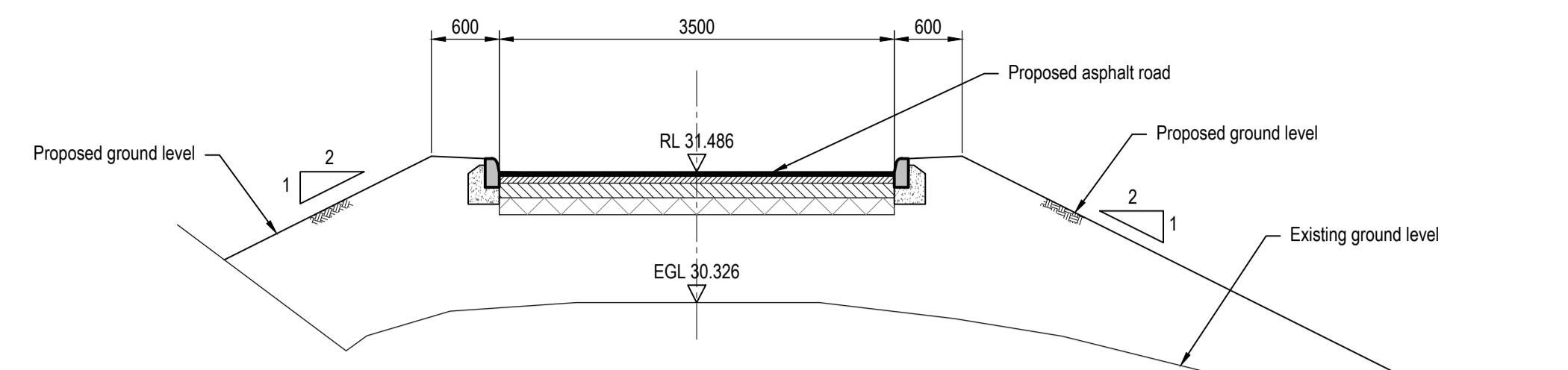
- Where this drawing has been issued in electronic .dwg format it has been done so in good faith. JNP Group do not take any responsibility for any inaccuracies in the electronic data, which should be checked against the paper (or .pdf) drawing issue. Any apparent discrepancies should be immediately reported to JNP Group. The electronic .dwg file should not be assumed to be to scale and should not be used for 'overlying', setting out or checking of any third party information. All dimensions should be taken from the paper (or .pdf) version of the drawing. Electronic drawings may contain third party information. JNP Group take no responsibility for this information, which should be checked against the originators paper drawing(s).
- All dimensions to be checked on site prior to construction/fabrication.
- Do not scale from this drawing.
- Any discrepancies between drawings of different scales, and between drawings and specification where appropriate to be notified to JNP Group for decision.
- Copyright reserved. This drawing may only be used for The Client and location specified in the title block. It may not be copied or disclosed to any third party without the prior written consent of JNP Group.
- This drawing should only be used for construction if the drawing status is "Construction". JNP Group take no responsibility for construction works undertaken to drawings which are not marked with this status.

Health & Safety Note
 The details on this drawing have been prepared on the assumption that a competent contractor will be carrying out the works. If the contractor(s) considers that there is insufficient Health and Safety information on this drawing, this should immediately be brought to the attention of the designer.

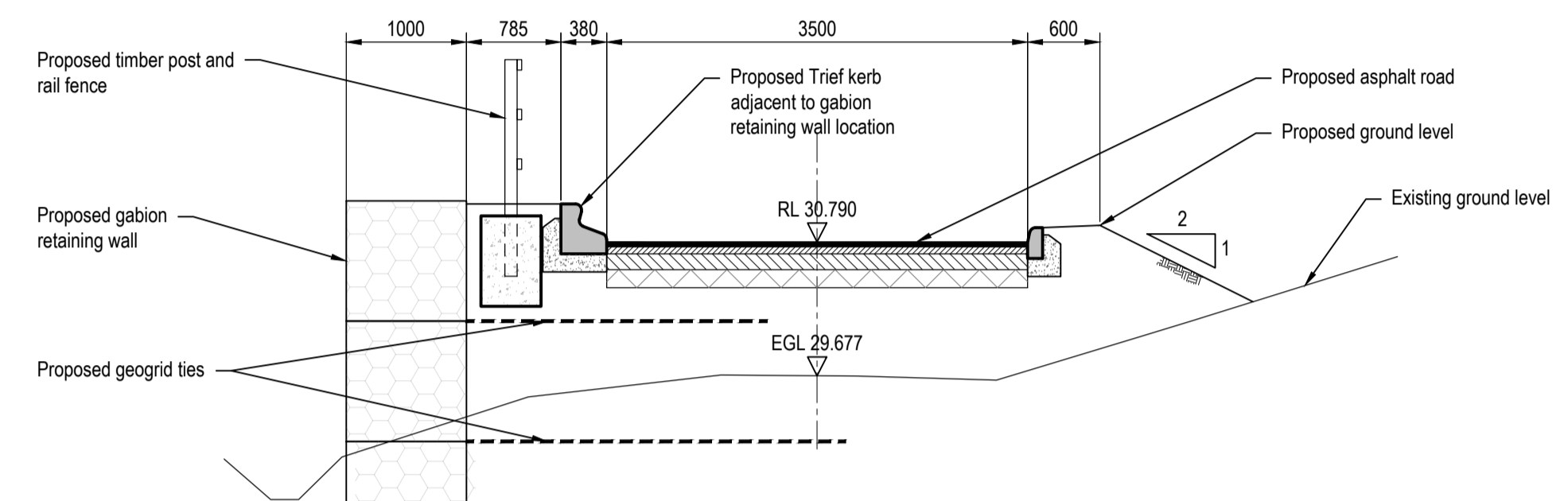
HAZARD IDENTIFICATION BOX			
This table is provided to assist the Principal Contractor to fulfil their obligations under the CDM Regulations 2015			
Hazard Ref	Hazard Type <small>(Construction/Maintenance/Change/Operation/Use/End)</small>	Hazard Description	Mitigation Measures/ Residual Risk
▲			



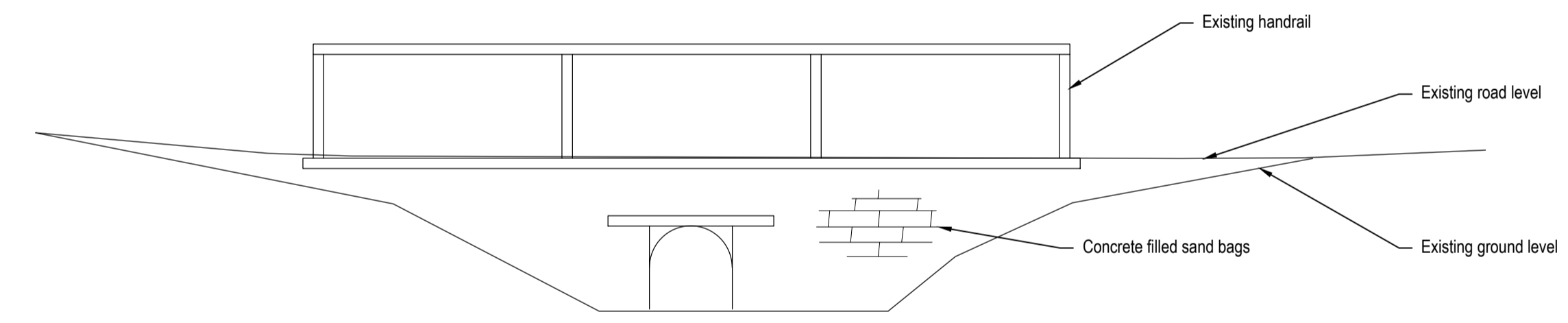
Plan on Proposed Bridge
(Scale 1:200)



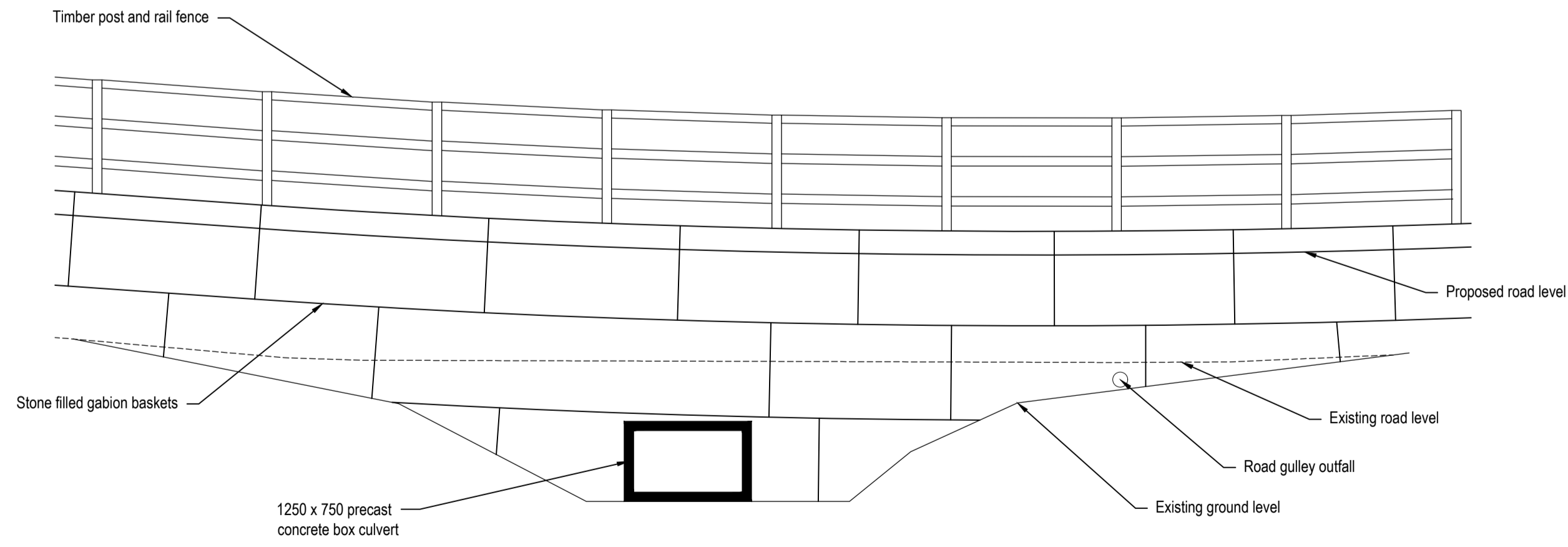
Cross Section at Chainage 64.00m
(Scale 1:50)



Cross Section at Chainage 40.00m
(Scale 1:50)



Existing Bridge West Elevation
(Scale 1:50)



Proposed Bridge West Elevation
(Scale 1:50)

Rev	Date	Description	Drn / CHK'd / App'd
-	03/06/2021	For Planning	EML/AMH

Subtitle: **S4 - Suitable for Stage Approval**

JNP GROUP
 CONSULTING ENGINEERS
 Chesham • Brighouse • Glasgow • Hartlepool
 Leamington Spa • Sheffield
 www.jnpgroup.co.uk

Client:	Loxwood Clay Pits Ltd
Job:	Loxwood Clay Pit
Title:	Track and Bridge Upgrade Proposed Plan and Sections

Classification: FI_60_20
 Scale @ A1: As Shown

AS **HAS** **CONSTRUCTIONLINE**

Project - Originator - Volume/System - Level/Location - Type - Discipline - Number	Revision
C86537 - JNP - XX-XX-DR - S - 2002	-