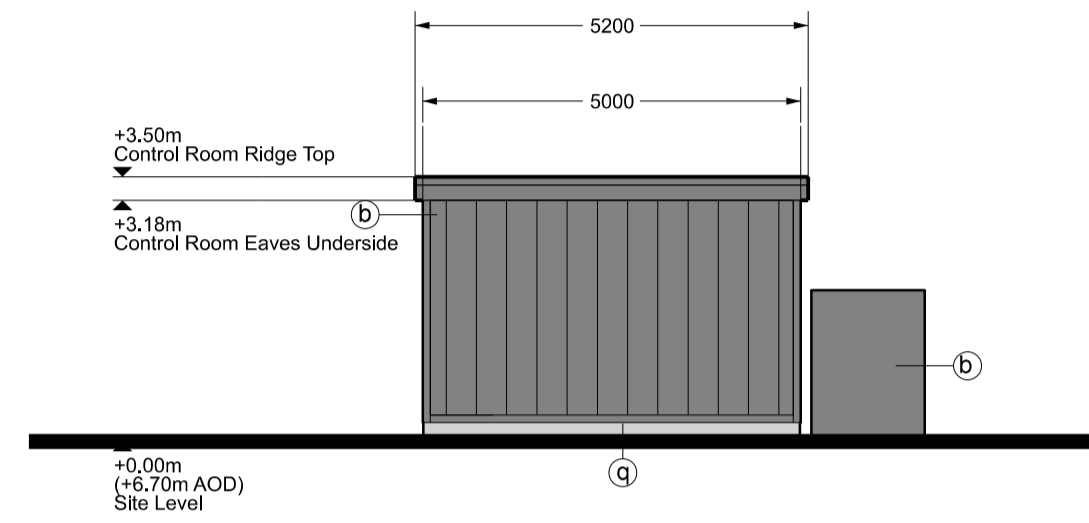
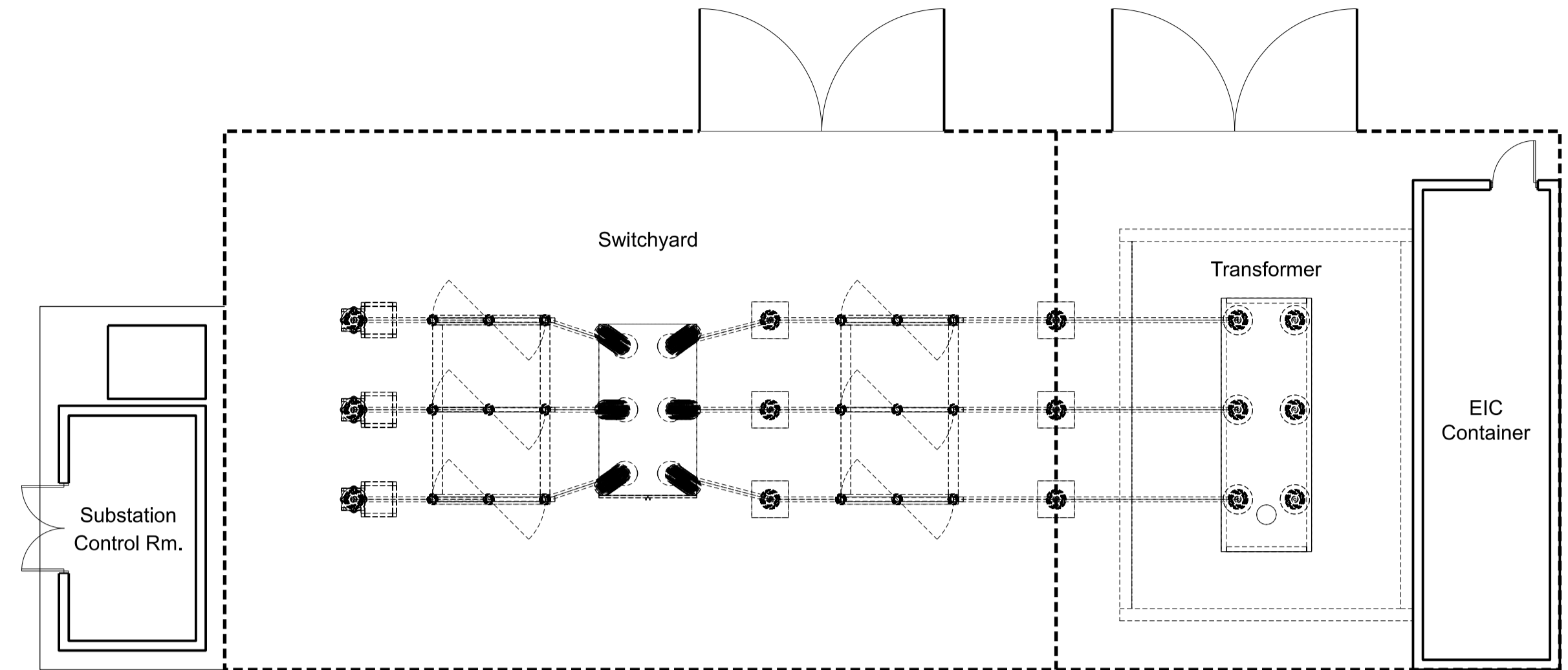


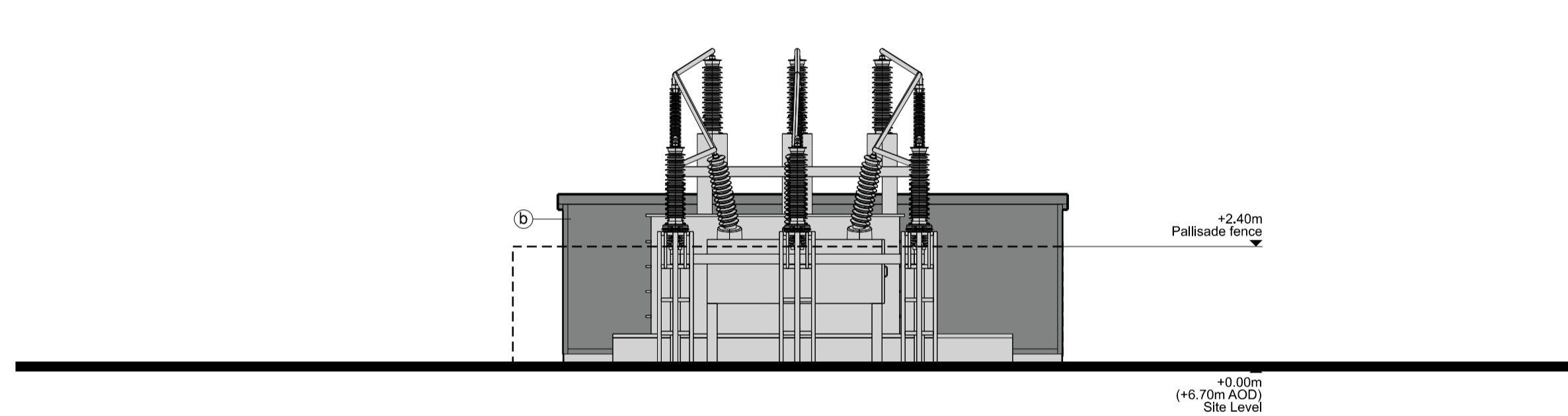
North Elevation (Control Rm. Only)



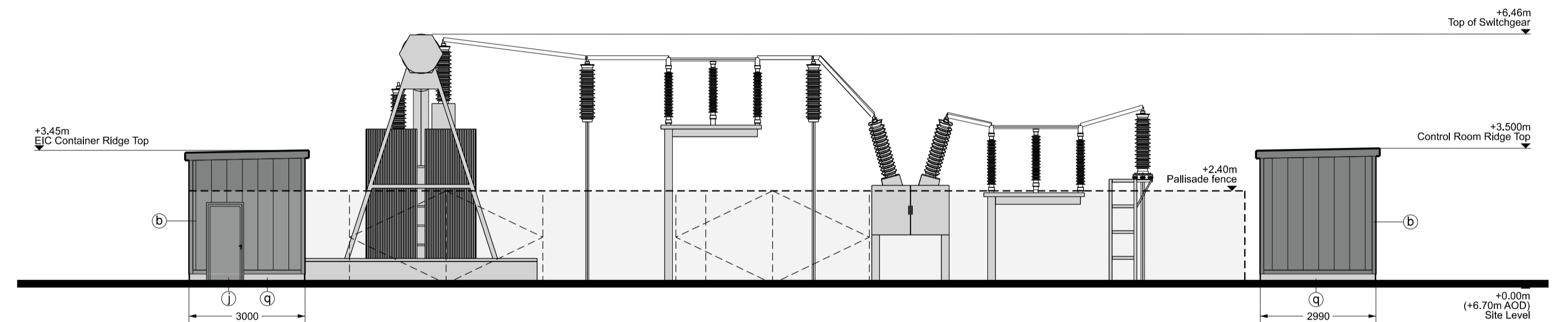
South Elevation (Control Rm. Only)



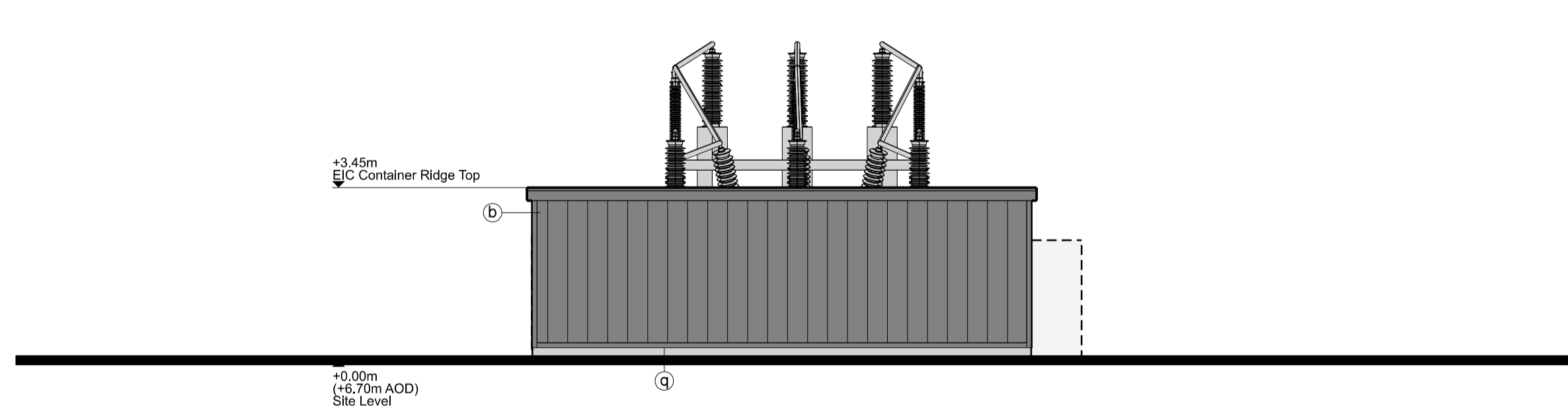
Control Rm. and Compound Plan



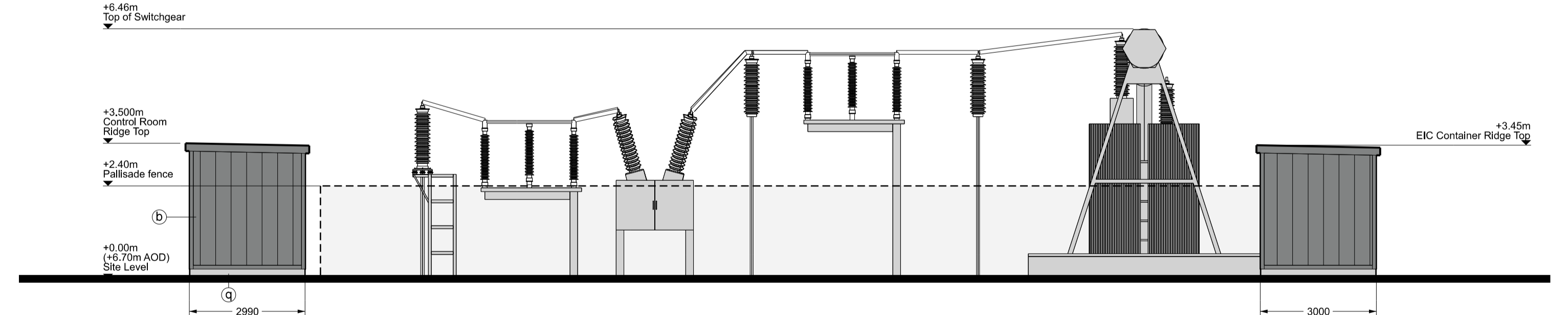
North Elevation



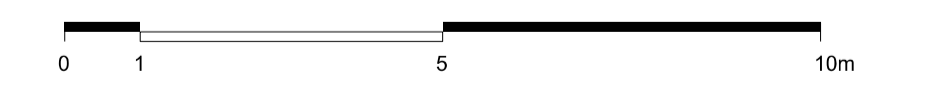
East Elevation



South Elevation



West Elevation



**NOTE**

- THIS DRAWING IS COPYRIGHT GSDA LTD.
- THE CONTRACTOR MUST NOT SCALE FROM THE DRAWING ALL DIMENSIONS TO BE TAKEN FROM DIMENSION STRINGS.
- WHERE ANY DISCREPANCIES ARE FOUND BETWEEN DIMENSIONS THESE MUST BE BROUGHT TO THE ATTENTION OF THE ARCHITECTS FOR RESOLUTION.
- WHERE DISCREPANCIES EXIST BETWEEN REFERENCE OR ASSEMBLY DRAWINGS & DETAIL DRAWINGS, THE LATTER TAKE PREFERENCE.

LEGEND	
Ⓐ Kalzip AluPlusPatina standing seam aluminium cladding and flashing Finish: Natural aluminium mill finish, standard	Ⓔ Metal roller shutter doors Colour / Finish: Pure Grey (RAL 000 55 00)
Ⓑ Metal trapezoidal wall cladding / flashing Colour: Pure Grey (RAL 000 55 00)	Ⓕ PPC metal personnel doors Colour: Seren Silver
Ⓒ Metal trapezoidal profile roof cladding Colour: Albatross (RAL 240 80 05)	Ⓖ PPC metal stack casing, metal ducting, tanks and silos Colour: Oyster (RAL 7035)
Ⓓ PPC aluminium louvers with integrated access door, Colour / Finish: Seren Silver	Ⓗ PPC metal stack casing, metal ducting, tanks and silos Colour: Albatross (RAL 240 80 05)
Ⓔ PPC aluminium louvers, Colour / Finish: Pure Grey (RAL 000 55 00)	Ⓖ PPC aluminium framed curtain walling, glazing and personnel doors Colour: Anthracite (RAL 7016)
Ⓕ Metal roller shutter doors Colour / Finish: Seren Silver	Ⓗ Flat roofing - Single ply membrane system, Colour: Lead Grey
Ⓖ PPC metal stack casing, metal ducting, tanks and silos Colour: Albatross (RAL 240 80 05)	Ⓗ Glass entrance canopy and bike shelter canopy
Ⓗ PPC aluminium framed curtain walling, glazing and personnel doors Colour: Anthracite (RAL 7016)	Ⓖ Galvanised steel
Ⓗ Flat roofing - Single ply membrane system, Colour: Lead Grey	Ⓗ Bespoke PPC flat metal cladding panels and feature railings Colour: Anthracite (RAL 7016)
Ⓗ Glass entrance canopy and bike shelter canopy	Ⓗ Metal paladin security fencing Colour: Anthracite (RAL 7016)
Ⓖ Galvanised steel	Ⓗ Timber acoustic fence with concrete posts
	Ⓗ Gabion walls
	Ⓗ Polycarbonate wall and roof panels Colour: Clear

Note: All materials, finishes and colours will be as stated or similar approved.

PROJECT		FORD CIRCULAR TECHNOLOGY PARK	
DRAWING		Substation and Transformer Plan and Elevations	
FOR PLANNING	-	21/03/16	Issued for planning
1:100@A1 SCALE	21/03/16	DATE	
1404 PL356	-		
DWG. NO.	REVISION		

**GSDA**  
GARRY STEWART DESIGN ASSOCIATES

Highlands House, Office 300A, 165 The Broadway, Wimbledon, London, SW19 1NE  
T. 020 8544 8085