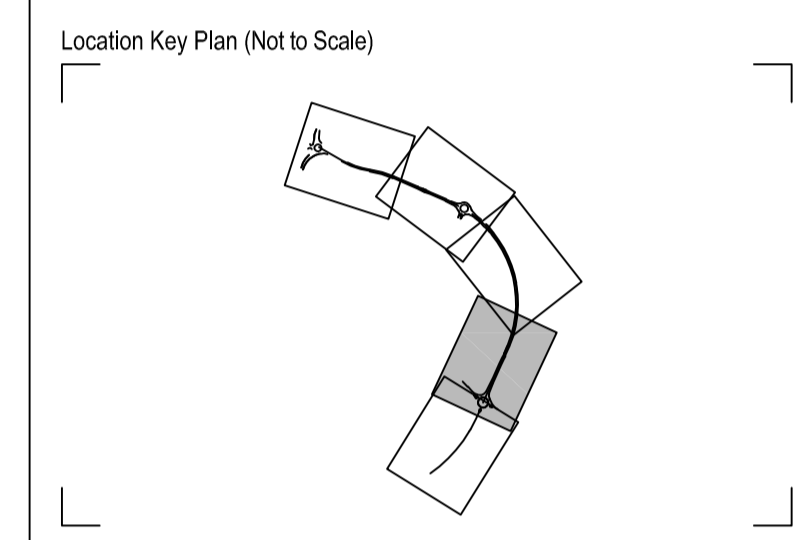


- NOTES:
1. ALL DIMENSIONS ARE IN METRES UNLESS OTHERWISE STATED.
  2. EARTHWORKS SIDE SLOPES ARE 1 IN 3 WHERE POSSIBLE. IN AREAS LIMITED BY BY LAND OR ENVIRONMENTAL RESTRICTIONS, STEEPER SLOPES HAVE BEEN GENERATED.
  3. REFER TO DRAWING A29-CAP-HPN-00-DR-C-0132 FOR THE TYPICAL DETAIL FOR LIGHTING COLUMN BEHIND SHARED FOOTWAY / CYCLEWAY WITH LOCALISED WIDENED VERGE.
  4. LIGHTING COLUMNS SET BACK 0.5M BEHIND THE FOOTWAY / CYCLEWAY.
  5. REFER TO THE ECOLOGICAL MITIGATION PLAN FOR THE SCHEME ECOLOGICAL ENHANCEMENT MEASURES REQUIRED.



Rev	Drawn	Checked	App'd	Description	Date
P15	AS	KS	AB	HEDGE ADDED ALONG HALO FENCE LINE	13.05.22
P14	JB	KS	KS	NOTE 5 ADDED AND KEY AMENDED	18.03.22
P13	AS	KS	AB	LANDSCAPING KEY AMENDED	10.03.22
P12	JB	KS	AB	AREA OF WILDFLOWER MEADOW GRASS ADJUSTED TO SUIT PROPOSED HEDGE LINE	28.02.22
P11	JB	KS	AB	POST AND RAIL ADDED TO THE WEST SIDE OF A29, TEMPORARY HOARDING ADDED ACROSS THE PHASE 1 LIMIT OF WORKS, LIGHTING LAYOUT UPDATED AND KEY AMENDED FOR SPECIMEN SHRUBS	25.02.22
P10	JB	KS	AB	LIGHTING LAYOUT UPDATED AND KEY AMENDED FOR SPECIMEN SHRUBS	18.02.22
P09	KS	KS	AB	LIGHTING COLUMNS OFFSET TO BE 0.5M FROM THE SHARED FOOTWAY / CYCLEWAY	10.12.21
P08	KS	KS	AB	VEISPOINT AMENDED	27.04.21
P07	KS	KS	AB	KEY UPDATED AND LABELS ADDED	23.04.21
P06	JD	KS	AB	REDLINE BOUNDARY UPDATED, LANDSCAPE AND FENCING DETAILS ADDED	30.03.21
P05	LR	KS	AB	DETAILS ADDED	21.10.20
P04	LR	KS	AB	HIGHWAY LAYOUT AND REDLINE BOUNDARY UPDATED	16.10.20
P03	PD	KS	AB	KEY UPDATED	03.09.20
P02	LR	KS	AB	LABELS ADDED / AMENDED	28.08.20
P01	PD	DAH	KS	FIRST ISSUE	12.06.20

Rev: 01/20/2022 12:48:39

Purpose of Issue: For Planning S0

Classification: Public



Project: A29 Realignment Scheme

Drawing: Site Plan Sheet 4 of 5

Scale @ A1	Drawn	Checked	Approved
1:500	PD	DAH	KS

Project No. CS099505 Date: 14.06.20

Drawing Identifier: A29-CAP-HPN-00-DR-C-0135

Project - Originator - Zone - Level - File Type - Role - Number: A29-CAP-HPN-00-DR-C-0135 P15



Capita House, Wood Street, East Grinstead, RH19 1UJ  
01342 327161  
www.capitaproperty.co.uk  
Capita Property and Infrastructure Ltd.

**LANDSCAPING KEY:**

- REDLINE BOUNDARY
- EXISTING VEGETATION - TO BE RETAINED AS MUCH AS POSSIBLE. EXTENTS OF CLEARANCE IN THESE AREAS IS TO BE AGREED ON SITE WITH OVERSEEING ORGANISATIONS SITE SUPERVISOR
- TEMPORARY USE LAND, TO BE REINSTATED LAND BACK TO EXISTING
- TEMPORARY USE LAND, TO BE LEFT IN A TIDY STATE. NO NEED TO REINSTATE
- WOODLAND EDGE SW1 TOPSOIL 300MM - 450MM
- SCRUB SW2 TOPSOIL 300MM - 450MM
- SPECIMEN TREE SW3
- SPECIMEN SHRUBS
- WILDFLOWER MEADOW GRASS MIX EM3 TOPSOIL 150MM. SOIL MIXING (VERGES) AND INVERSION (LARGER AREAS).
- WETLAND GRASS MIX EM8 TOPSOIL 150MM
- SUBMERGED AND FLOATING PLANTS FOR PONDS
- MARGINAL PLANTS FOR PONDS TOPSOIL 150MM
- PUBLIC RIGHT OF WAY SELF BINDING PATH GRAVEL
- WILDLIFE CROSSING
- INDICATIVE LIGHTING COLUMN WITH REFERENCE LETTER FOR THE LIGHTING UNIT TYPE (INCLUDING HEIGHT) AS SHOWN IN THE LIGHTING PLANS INCLUDED IN APPENDIX 10.2 OF THE REVISED ES

**FENCING KEY:**

- PROPOSED POST AND THREE RAIL MCHW H15 AND HEDGE ON THE HIGHWAY SIDE.
- 3.0m ACOUSTIC FENCING REFER TO DRG A29-CAP-HPN-00-DR-C-0183 AND 0184 FOR DETAILS. CLIMBING PLANTS ON WEST SIDE.
- GATE REFER TO MCHW H17 GATE NO.1 WIDTH 4.5M, HEIGHT 1.175M GATE NO.2 WIDTH 4.5M, HEIGHT 1.175M GATE NO.3 WIDTH 4.5M, HEIGHT 1.175M
- FT1 BADGER MESH FENCING, TO COMPLY TO MCHW H48 MESH TO BE BURIED 300MM DEEP AND RETURNED 300MM AND FIXED TO POST AND THREE RAIL FENCE. THE FENCING TO EXTEND AS SHOWN ON THE PLAN EITHER SIDE OF THE WILDLIFE CROSSING POINT
- PROPOSED POST AND THREE RAIL MCHW H15
- PROPOSED CLOSE BOARD FENCE PANELS TO MATCH EXISTING
- TEMPORARY HOARDING FENCE WITH GATE
- PROPOSED FENCING - HALO SITE CLOSE BOARD FENCE PANELS WITH GREEN MESH SECURITY FENCE TO MATCH EXISTING HALO FENCING.
- EXISTING FENCING - HALO SITE 1.8M CLOSE BOARD FENCE PANELS INC GRAVEL BOARD WITH 2.4M CENTRE OF CONCRETE POSTS 2.3M GREEN MESH SECURITY FENCE PANELS WITH 3.3M CENTRE OF GREEN METAL POST. SUPPLIER PROCTER - PRO-MESH PANEL FENCING SYSTEMS
- SWALE PLANTING PLAN 10NO. SALIX ALBA VAR. VITELLINA 'BRITZENSIS' 25NO. FILIPENDULA ULMARIA (MEADOW SWEET) AND 25NO. PURPLE LOOSESTRIFE (LYTHRUM SALICARIA) EACH SIDE
- ROOT BARRIER EACH SIDE OF FILTER DRAIN

**OTHER KEY:**

- TXX TREE PRESERVATION ORDER - INDICATIVE LOCATION ONLY
- ROOT PROTECTION AREA - INDICATIVE LOCATION ONLY
- SHARED USE FOOTWAY / CYCLEWAY BOUND SURFACE COURSE - ASPHALT CONCRETE
- FOOTWAY BOUND SURFACE COURSE - ASPHALT CONCRETE
- CARRIAGEWAY HRA SURFACE COURSE
- TRAFFIC ISLAND BOUND SURFACE COURSE - ASPHALT CONCRETE
- POND ACCESS TRACKS UNBOUND SUB BASE TYPE 1
- GRASSCRETE
- HEDGE
- CONSTRUCTION EXCLUSION ZONE - WHEREBY AVOID VEGETATION STRIP ALL TOGETHER AND CONSTRUCTION WORKS ACCESS IS EXCLUDED
- RESTRICTED WORKING ZONE - WHEREBY EXISTING VEGETATION IS ONLY STRIPPED WHERE ABSOLUTELY NECESSARY. WORKS WITHIN THESE AREAS TO BE SUBJECT TO TASK/ LOCATION SPECIFIC ARBORICULTURAL METHOD STATEMENT. THE AMS FOR EACH TO BE DEVELOPED DURING CONSTRUCTION PLANNING. THE WORK METHODOLOGY IS TO BE AGREED WITH THE EcoW/ ARBORICULTURIST. TREE PROTECTION REQUIREMENTS TO THESE AREAS TO BE AGREED WITH ARBORICULTURIST AND EcoW on site.