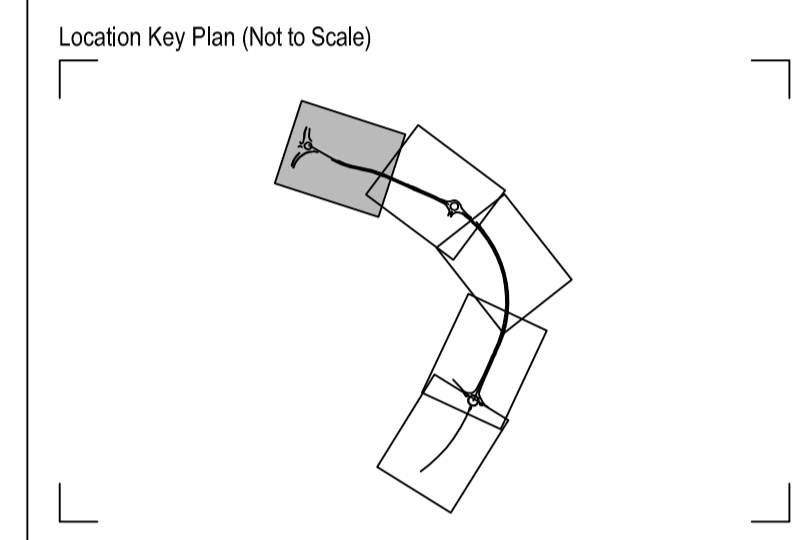


- NOTES:
1. ALL DIMENSIONS ARE IN METRES UNLESS OTHERWISE STATED.
 2. EARTHWORKS SIDE SLOPES ARE 1 IN 3 WHERE POSSIBLE. IN AREAS LIMITED BY LAND OR ENVIRONMENTAL RESTRICTIONS, STEEPER SLOPES HAVE BEEN GENERATED.
 3. REFER TO DRAWING A29-CAP-HPN-00-DR-C-0132 FOR THE TYPICAL DETAIL FOR LIGHTING COLUMN BEHIND SHARED FOOTWAY/ CYCLEWAY WITH LOCALISED WIDENED VERGE.
 4. LIGHTING COLUMNS SET BACK 0.5M BEHIND THE FOOTWAY/ CYCLEWAY.
 5. REFER TO THE ECOLOGICAL MITIGATION PLAN FOR THE SCHEME ECOLOGICAL ENHANCEMENT MEASURES REQUIRED.



Rev	Drawn	Checked	App'd	Description	Date
P13	KS	KS	AB	LABELS FOR T8 AND T9 AMENDED	15.06.22
P12	JB	KS	KS	NOTE 5 ADDED AND KEY AMENDED	18.03.22
P11	AS	KS	AB	LANDSCAPING KEY AMENDED	10.03.22
P10	JB	KS	AB	BADGER FENCING EXTENDED	25.02.22
P09	JB	KS	AB	LIGHTING LAYOUT UPDATED AND KEY AMENDED FOR SPECIMEN SHRUBS, POST AND RAIL FENCE SECTION ADDED ON SOUTH SIDE	18.02.22
P08	KS	KS	AB	LIGHTING COLUMNS OFFSET TO BE 0.5M FROM THE SHARED FOOTWAY/ CYCLEWAY. TYPICAL DETAIL ADDED FOR THE LIGHTING COLUMN BY VERGE	10.12.21
P07	KS	KS	AB	KEY AMENDED AND LABELS ADDED	23.04.21
P06	JD	KS	AB	REDLINE BOUNDARY UPDATED, LANDSCAPING AND FENCING DETAILS ADDED	01.04.21
P05	LR	KS	AB	LABELS AMENDED	21.10.20
P04	LR	KS	AB	HIGHWAY LAYOUT AND REDLINE BOUNDARY UPDATED	16.10.20
P03	PD	KS	AB	KEY UPDATED	03.09.20
P02	LR	KS	AB	LABELS ADDED / AMENDED	28.06.20
P01	PD	DAH	KS	FIRST ISSUE	12.06.20

Purpose of Issue
For Planning S0

Classification
Public



Project
A29 Realignment Scheme

Drawing
Site Plan Sheet 1 of 5

Scale @ A1	Drawn	Checked	Approved
1:500	PD	DAH	KS

Project No.	Date
CS099505	12.06.20

Drawing Identifier	BS1192 Compliant
A29-CAP-HPN-00-DR-C-0132	P13



Capita House, Wood Street, East Grinstead, RH19 1UU
 01342 327161
 www.capitaproperty.co.uk
 Capita Property and Infrastructure Ltd.

File Path: \\01002022\284333
 © Capita Property and Infrastructure Ltd | F:\Highways\CS099505 A29\03 Delivery\HPN Planning\03 Drawings\A29-CAP-HPN-00-DR-C-SHEETS\0132 - 0136.dwg