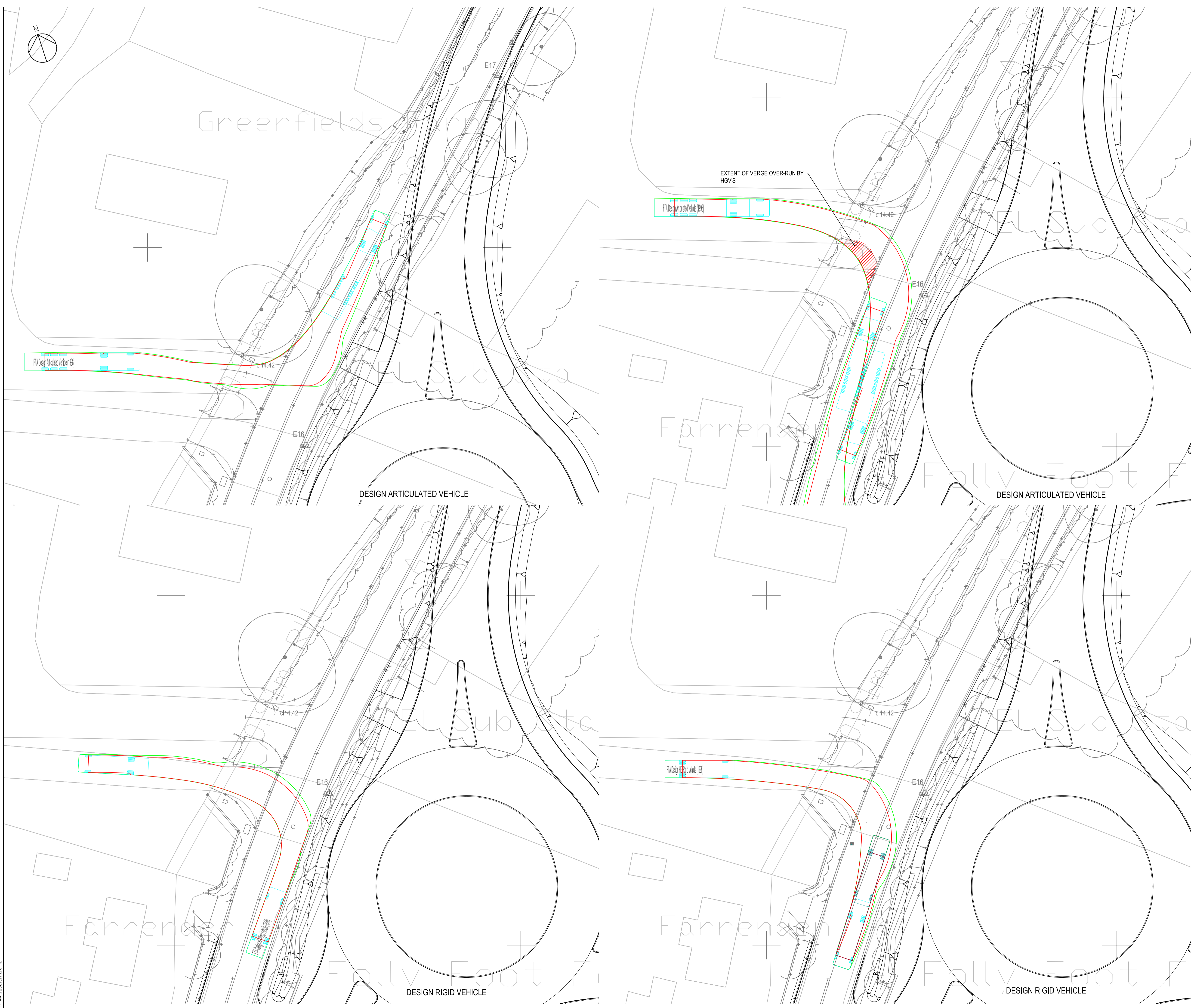




## APPENDIX 3.1C - SWEPT PATH DRAWINGS

---

(New) Swept path drawings



**NOTES:**

**KEY**

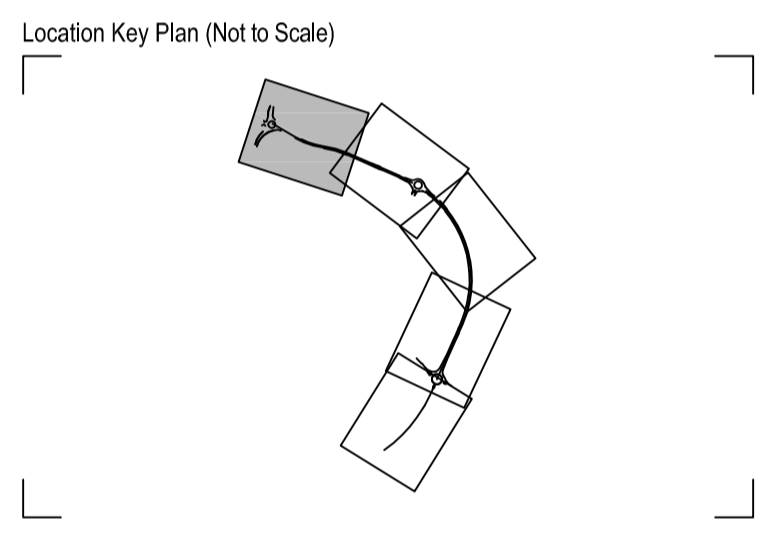
- Vehicle Wheels Track
- Vehicle Overhang Body Track
- Vehicle Base

FTA Design HG Rigid Vehicle (1998)

|                             |         |
|-----------------------------|---------|
| Overall Length              | 10.000m |
| Overall Width               | 2.500m  |
| Overall Body Height         | 3.645m  |
| Min Body Ground Clearance   | 0.440m  |
| Track Width                 | 2.470m  |
| Lock to lock time           | 3.00s   |
| Kerb to Kerb Turning Radius | 11.000m |

FTA Design Articulated Vehicle (1998)

|                             |         |
|-----------------------------|---------|
| Overall Length              | 16.480m |
| Overall Width               | 2.550m  |
| Overall Body Height         | 3.970m  |
| Min Body Ground Clearance   | 0.515m  |
| Max Track Width             | 2.470m  |
| Lock to lock time           | 3.00s   |
| Kerb to Kerb Turning Radius | 6.550m  |



| P02              | BY    | KS      | AB       | KEY ADDED   | 29.04.2021 |
|------------------|-------|---------|----------|-------------|------------|
| P01              | JB    | DH      | KS       | FIRST ISSUE | 15.04.2021 |
| Rev              | Drawn | Checked | Approved | Description | Date       |
| Purpose of Issue |       |         |          |             | S0         |
| For Planning     |       |         |          |             | S0         |
| Classification   |       |         |          |             | Public     |
| Client           |       |         |          |             |            |



Project  
**A29 Realignment Scheme**

Drawing  
**Fontwell Farm Access Vehicle Tracking**

|             |            |         |          |
|-------------|------------|---------|----------|
| Scale @ A1  | Drawn      | Checked | Approved |
| 1:250       | JB         | DH      | KS       |
| Project No. | Date       |         |          |
| CS099505    | 15.04.2021 |         |          |

Drawing Identifier  
 Project - Originator - Zone - Level - File Type - Role - Number  
**A29-CAP-HPN-00-SK-C-0244** P02

**CAPITA**

Capita House, Wood Street, East Grinstead, RH19 1UU  
 01342 327161  
 www.capitaproperty.co.uk  
 Capita Property and Infrastructure Ltd.