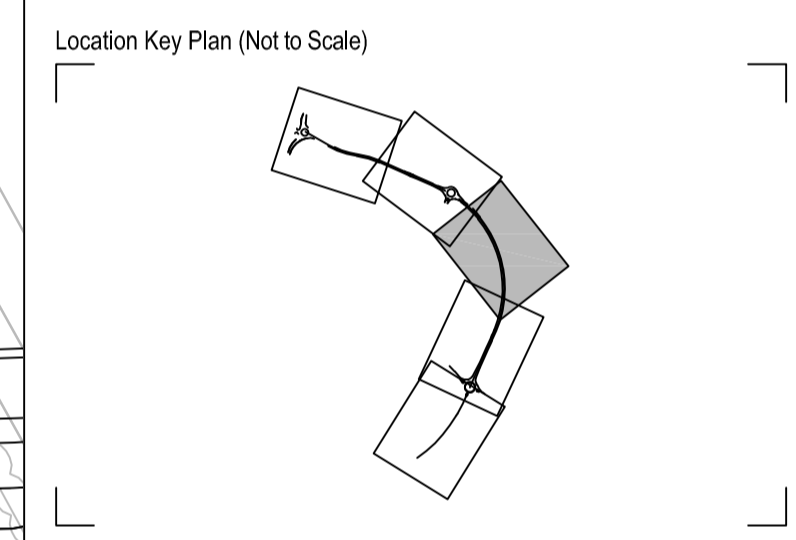


NOTES:
 1. ALL DIMS IN METRES UNLESS OTHERWISE STATED.
 2. DRAWING CONSTRUCTED UTILISING CAPITA ALIGNMENT MODEL REF NO. A29-CAP-HGN-00-M3-C-0018.

KEY:
 - - - - - Stopping Sight Distance (SSD) for 30mph at 70m



P01	BW	GL	KS	FIRST ISSUE	23.04.21
Rev	Drawn	Checked	App'd	Description	Date
Purpose of Issue					
For Planning					S0
Classification					
Public					
Client					



Project
A29 Realignment Scheme

Drawing
Bus Stop Locations

Scale @ A1	Drawn	Checked	Approved
1:500	BW	GL	KS

Project No.	Date
CS099505	23.04.2021

Drawing Identifier	BS1192 Compliant
Project - Originator - Zone - Level - File Type - Role - Number	revision
A29-CAP-HGN-00-DR-C-0252	P01

CAPITA

Capita House, Wood Street, East Grinstead, RH19 1UU
 01342 327161
 www.capitaproperty.co.uk
 Capita Property and Infrastructure Ltd.

PH1:DWG:23/04/2021 22:07:50