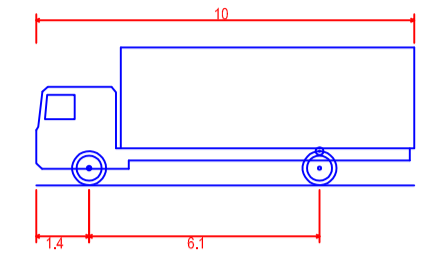


NOTES:

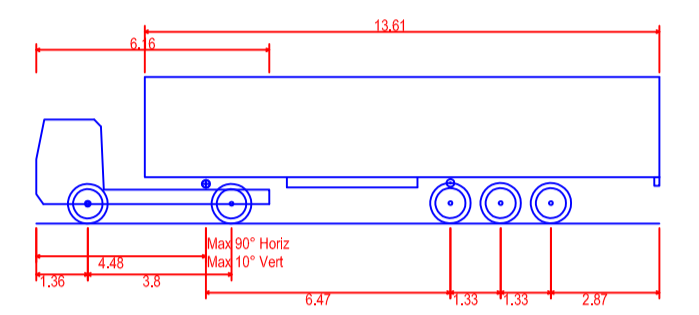
KEY

- Vehicle Wheels Track
- Vehicle Overhang Body Track
- Vehicle Base



FTA Design HG Rigid Vehicle (1998)

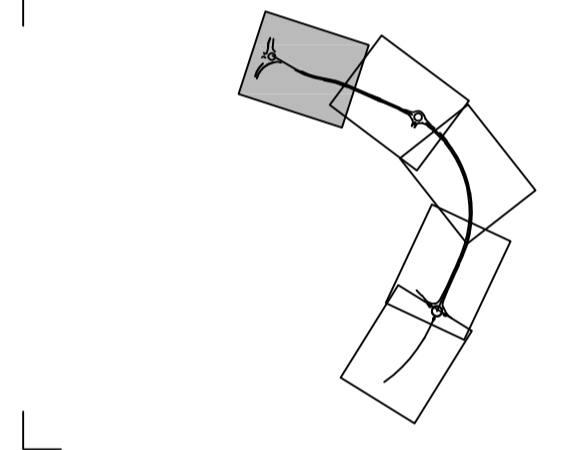
Overall Length	10.000m
Overall Width	2.500m
Overall Body Height	3.645m
Min Body Ground Clearance	0.440m
Track Width	2.470m
Lock to lock time	3.00s
Kerb to Kerb Turning Radius	11.000m



FTA Design Articulated Vehicle (1998)

Overall Length	16.480m
Overall Width	2.550m
Overall Body Height	3.970m
Min Body Ground Clearance	0.515m
Max Track Width	2.470m
Lock to lock time	3.00s
Kerb to Kerb Turning Radius	6.550m

Location Key Plan (Not to Scale)



Rev	Drawn	Checked	App'd	Description	Date
P02	BY	KS	AB	KEY ADDED	29.04.2021
P01	JB	DH	KS	FIRST ISSUE	15.04.2021

Purpose of Issue
For Planning **S0**

Classification
Public



Project
A29 Realignment Scheme

Drawing
Fontwell Farm Access Vehicle Tracking

Scale @ A1	Drawn	Checked	Approved
1:250	JB	DH	KS

Project No.	Date
CS099505	15.04.2021

Drawing Identifier
Project - Originator - Zone - Level - File Type - Role - Number
A29-CAP-HPN-00-SK-C-0244 **P02**



Capita House, Wood Street, East Grinstead, RH19 1UU
01342 327161
www.capitaproperty.co.uk
Capita Property and Infrastructure Ltd.

