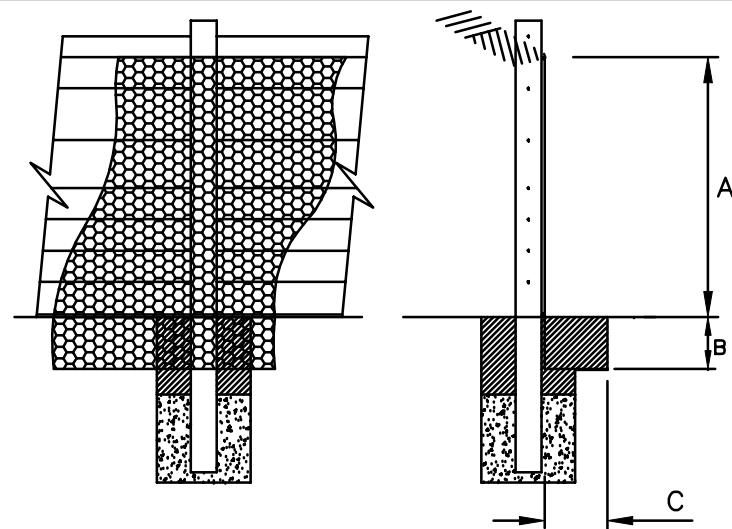
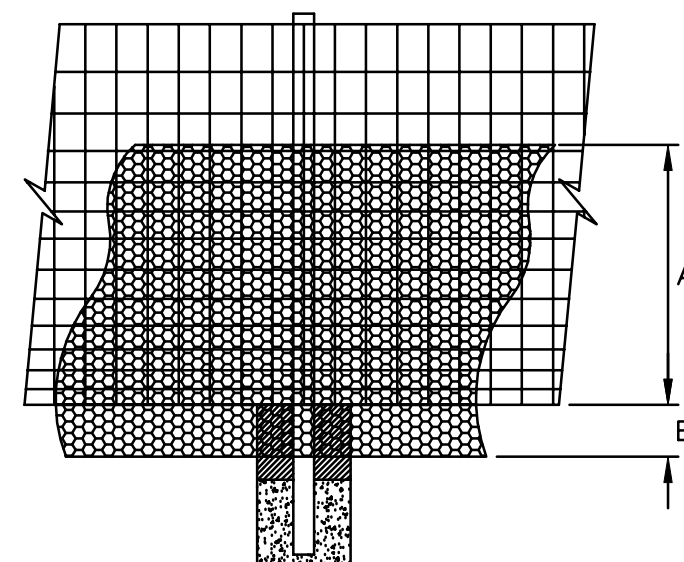


ATTACHMENT OF MESH  
TO WOODEN POST AND 4/5 RAIL FENCE

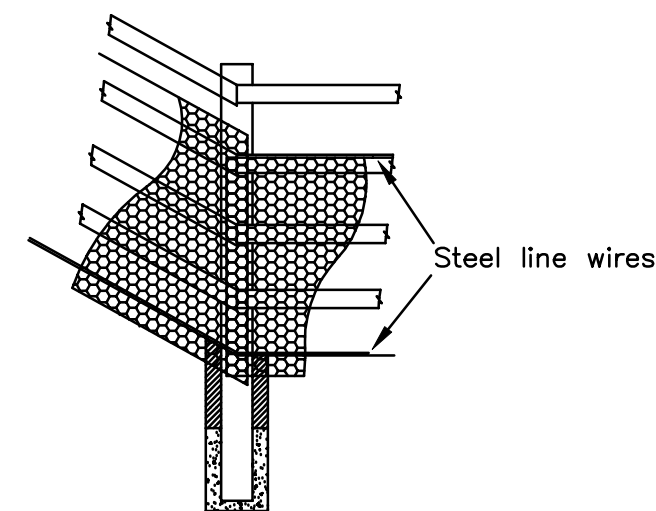


ATTACHMENT OF MESH TO  
A STRAINED WIRE FENCE



ATTACHMENT OF MESH TO A  
RECTANGULAR WIRE MESH FENCE

	WIRE MESH	DIMENSION A	DIMENSION B	DIMENSION C	LINE WIRES See Note 6
Type 1 - Rabbit	Hexagonal steel wire netting to BS EN 10223-2 Classification 31 x 1050 x 18	800	100	150	2 No.
Type 2 - Muntjac Deer (+ Rabbit)	Hexagonal steel wire netting to BS EN 10223-2 Classification 31 x 1200 x 18	950	100	150	2 No.
Type 3 - Badger See Note 3	Steel wire woven hinged joint fencing to BS EN 10223-5 Classification H2. 160/15/8. See Note 4	1000	300	300	0
	Steel wire chain link fencing to BS EN 10223-6 Zinc/zinc alloy and black organic coating 50 mesh x 2.5/3.55 gauge, 1800 height	1250	250	300	2 No.
Type 4 - Badger & Rabbit See Note 3	Hexagonal steel wire netting to BS EN 10223-2 Classification 31 x 1200 x 18 AND	950	250	0	0
	Steel wire woven hinged joint fencing to BS EN 10223-5 Classification H2. 160/15/8. See Notes 4 & 5	1000	300	300	0
	Hexagonal steel wire netting to BS EN 10223-2 Classification 31 x 1200 x 18 AND	950	250	0	0
	Steel wire chain link fencing to BS EN 10223-6 Zinc/zinc alloy and black organic coating 50 mesh x 2.5/3.55 gauge, 1800 height. See Note 5	1250	250	300	2 No.



MESH TO BE JOINED AND  
SECURED TO POSTS AS  
REQUIRED BY PROFILE  
OF FENCING

NOTES

1. ALL DIMENSIONS ARE IN MILLIMETRES UNLESS OTHERWISE STATED.
2. Fencing Types 1, 3 and 4 apply to new fencing and to the attachment of wire mesh (and additional line wires) where the existing fence height is greater than Dimension A. Fencing Type 6 is required instead of Type 2 if the existing fence height is less than 1350.
3. Two alternatives are given for this type.
4. Alternatives within height range 1580 to 1700 are acceptable, but horizontal spacing of vertical stay wires must not exceed 100.
5. Where two layers of wire mesh are required, dimensions A, B & C are given in order inner/outer mesh.
6. Hexagonal mesh and chain link fencing attached to additional line wires at top of mesh and at ground level.
7. BS 1722:Part 2 shall apply unless otherwise stated. Wire mesh to be attached to fence with a minimum of 16 No. anchorages per square metre of mesh.

HIGHWAY CONSTRUCTION DETAILS

FENCES, STILES &  
GATES

A	MAY 01
P1	MAR 95
Issue	Date

ATTACHMENT OF WIRE MESH  
TO FENCING (SHEET 1 OF 3)

Drawing No.

H46