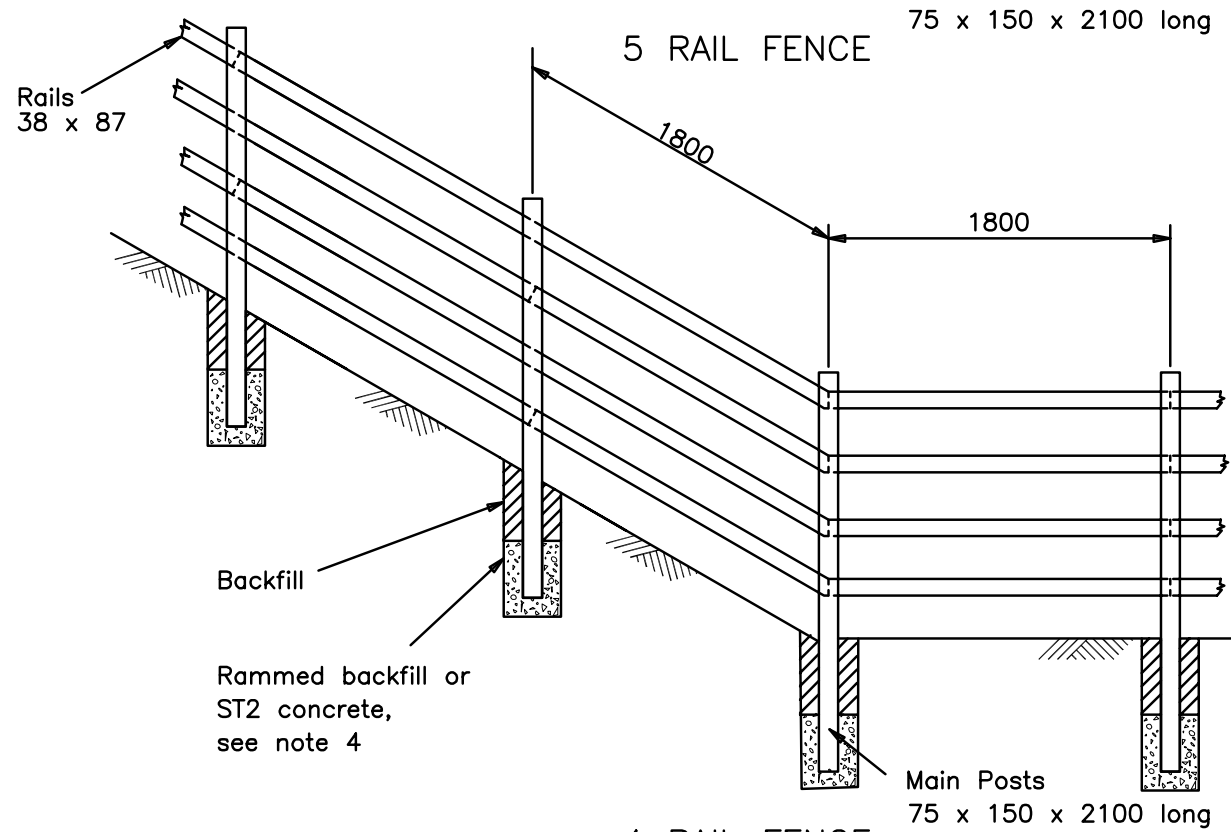
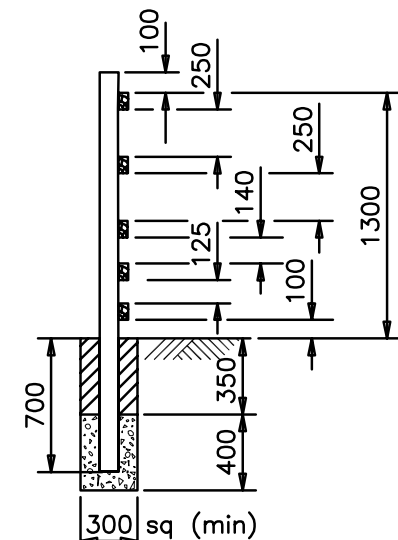


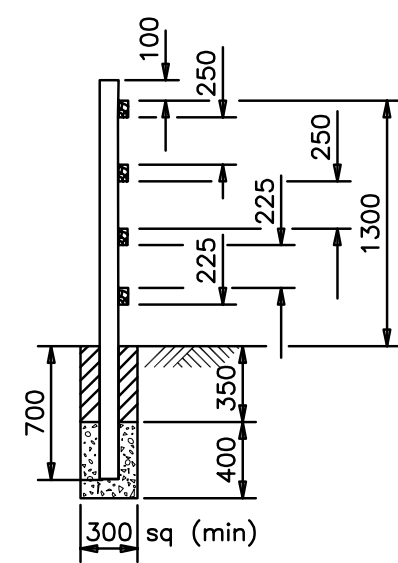
5 RAIL FENCE



4 RAIL FENCE



SECTION THROUGH Q OF MAIN POSTS



SECTION THROUGH Q OF MAIN POSTS

- NOTES
1. Specification Clause 306 applies unless otherwise stated in Appendix 3/1 or Appendix 1/15.
 - 2a). Where plain or barbed wire is required in Appendix 3/1 or Appendix 1/15 it shall be zinc coated and comply with BS 4102.
 - 2b). 4 rail fence – BS 1722 Part 7 Type SPR 13/4 applies unless otherwise stated.
 - 2c). 5 rail fence – BS 1722 Part 7 Type SPR 13/4 applies (except for the addition of a fifth rail, rails spaced as shown) unless otherwise stated.
 3. Where the fence forms a boundary between the highway and private property, the rails shall be fixed to the private property side unless otherwise stated in Appendix 3/1 or 1/15.
 4. Posts can be supported by rammed backfill or ST2 concrete unless Appendix 1/15 or Appendix 3/1 require ST2 concrete to be used.
 5. ALL DIMENSIONS ARE IN MILLIMETRES.

HIGHWAY CONSTRUCTION DETAILS	FENCES, STILES & GATES	D	MAY 04	MOTORWAY AND ACCOMMODATION WORKS TIMBER POST AND 4 (OR 5) RAIL FENCES	Drawing No.
		C	MAR 98		H3
		B	AUG 93		
		A	DEC 91		
		Issue	Date		