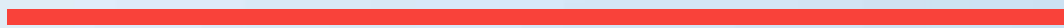
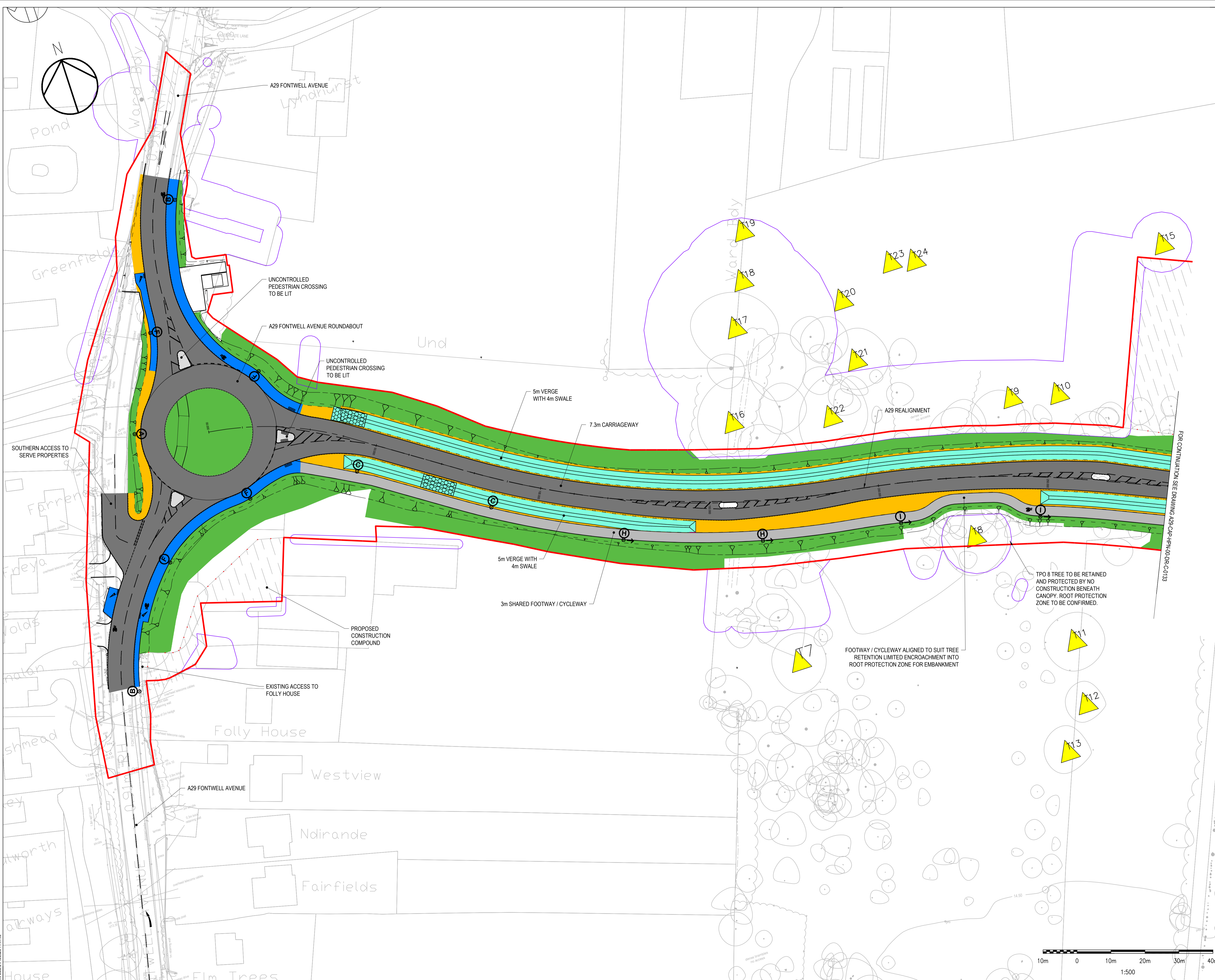


Appendix E

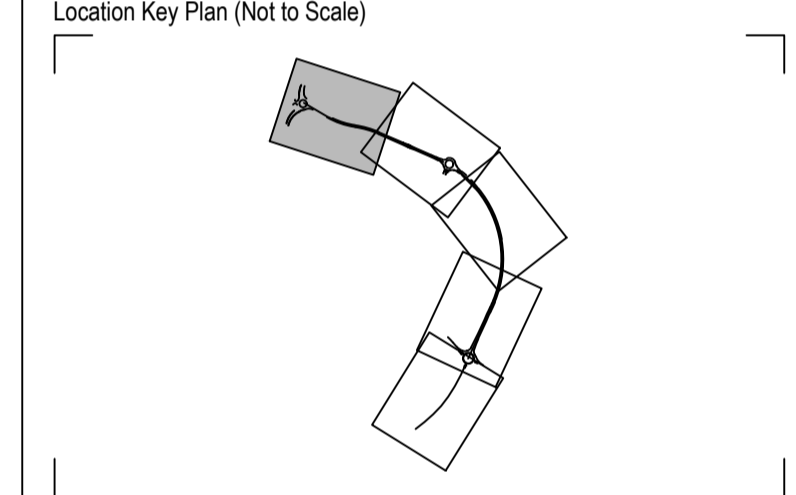
GENERAL ARRANGEMENT DRAWINGS





- NOTES:
1. ALL DIMENSIONS ARE IN METRES UNLESS OTHERWISE STATED.
 2. EARTHWORKS SIDE SLOPES ARE 1 IN 3 WHERE POSSIBLE. IN AREAS LIMITED BY LAND OR ENVIRONMENTAL RESTRICTIONS, STEEPER SLOPES HAVE BEEN GENERATED. SLOPES SUBJECT TO GROUND INVESTIGATION.
 3. EXACT LOCATION AND FORM OF HEADWALLS AND ASSOCIATED CULVERTS TO BE CONFIRMED FOLLOWING SITE INVESTIGATION.

- KEY
- CARRIAGEWAY
 - FOOTWAY
 - SHARED USE FOOTWAY/CYCLEWAY
 - SWALE
 - TRAFFIC ISLANDS
 - SOFT LANDSCAPING
 - CARRIAGEWAY VERGE
 - PLANTING IN SWALE. PLANTING OF LOW GROWTH PERENNIAL SPECIES NOT EXCEEDING 1.5m IN HEIGHT PREFERABLY EVERGREEN.
 - PROPOSED ATTENUATION / INFILTRATION POND (POND SIZE & LAYOUT TO BE CONFIRMED FOLLOWING INFILTRATION TESTING & SITE INVESTIGATION).
 - RED LINE BOUNDARY
 - WILDLIFE CROSSING
 - INDICATIVE LIGHTING COLUMN WITH REFERENCE LETTER
 - ACOUSTIC BARRIER
 - TEMPORARY USE LAND
 - TREE PRESERVATION ORDER - INDICATIVE LOCATION ONLY
 - ROOT PROTECTION AREA - INDICATIVE LOCATION ONLY



Rev	Drawn	Checked	App'd	Description	Date
P05	LR	KS	AB	LABELS AMENDED	21.10.20
P04	LR	KS	AB	HIGHWAY LAYOUT AND REDLINE BOUNDARY UPDATED	16.10.20
P03	PD	KS	AB	KEY UPDATED	03.09.20
P02	LR	KS	AB	LABELS ADDED / AMENDED	28.09.20
P01	PD	DAH	KS	FIRST ISSUE	12.06.20

Purpose of Issue
For Planning S0

Classification
Public



Project
A29 Realignment Scheme

Drawing
Site Plan
Sheet 1 of 5

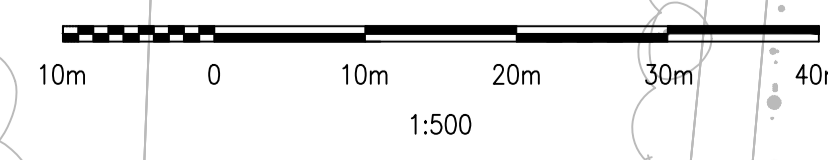
Scale @ A1	Drawn	Checked	Approved
1:500	PD	DAH	KS

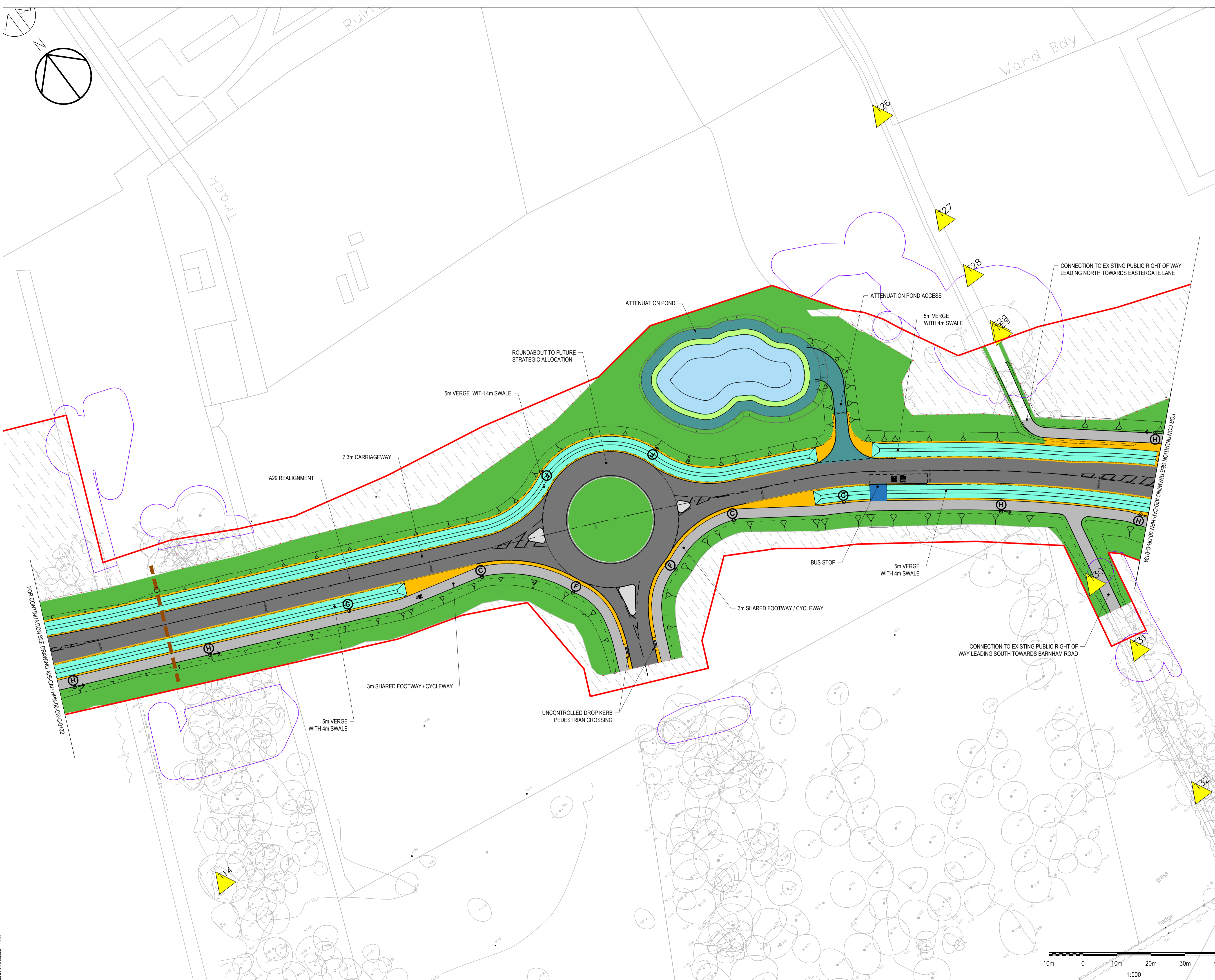
Project No.	Date
CS099505	12.06.20

Drawing Identifier
 Project - Originator - Zone - Level - File Type - Role - Number
A29-CAP-HPN-00-DR-C-0132 P05

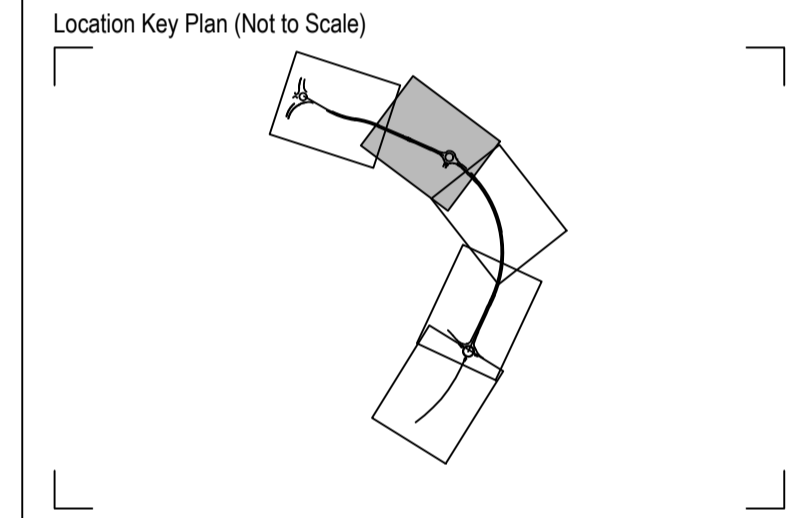


Capita House, Wood Street, East Grinstead, RH19 1UU
 01342 327161
 www.capitaproperty.co.uk
 Capita Property and Infrastructure Ltd.





- NOTES:**
1. ALL DIMENSIONS ARE IN METRES UNLESS OTHERWISE STATED.
 2. EARTHWORKS SIDE SLOPES ARE 1 IN 3 WHERE POSSIBLE. IN AREAS LIMITED BY LAND OR ENVIRONMENTAL RESTRICTIONS, STEEPER SLOPES HAVE BEEN GENERATED. SLOPES SUBJECT TO GROUND INVESTIGATION.
 3. EXACT LOCATION AND FORM OF HEADWALLS AND ASSOCIATED CULVERTS TO BE CONFIRMED FOLLOWING SITE INVESTIGATION.
- KEY**
- CARRIAGEWAY
 - FOOTWAY
 - SHARED USE FOOTWAY/CYCLEWAY
 - SWALE
 - TRAFFIC ISLANDS
 - SOFT LANDSCAPING
 - CARRIAGEWAY VERGE
 - PLANTING IN SWALE
 - PLANTING OF LOW GROWTH PERENNIAL SPECIES NOT EXCEEDING 1.5m IN HEIGHT PREFERABLY EVERGREEN.
 - PROPOSED ATTENUATION / INFILTRATION POND (POND SIZE & LAYOUT TO BE CONFIRMED FOLLOWING INFILTRATION TESTING & SITE INVESTIGATION).
 - RED LINE BOUNDARY
 - WILDLIFE CROSSING
 - INDICATIVE LIGHTING COLUMN WITH REFERENCE LETTER
 - ACOUSTIC BARRIER
 - TEMPORARY USE LAND
 - TREE PRESERVATION ORDER - INDICATIVE LOCATION ONLY
 - ROOT PROTECTION AREA - INDICATIVE LOCATION ONLY



Rev	Drawn	Checked	App'd	Description	Date
P05	LR	KS	AB	LABELS AMENDED	21.10.20
P04	LR	KS	AB	HIGHWAY LAYOUT AND REDLINE BOUNDARY UPDATED	16.10.20
P03	PD	KS	AB	KEY UPDATED	03.09.20
P02	LR	KS	AB	MODELS UPDATED	28.08.20
P01	PD	RFH	KS	FIRST ISSUE	12.06.20

Purpose of Issue: **For Planning** S0

Classification: **Public**



Project: **A29 Realignment Scheme**

Drawing: **Site Plan Sheet 2 of 5**

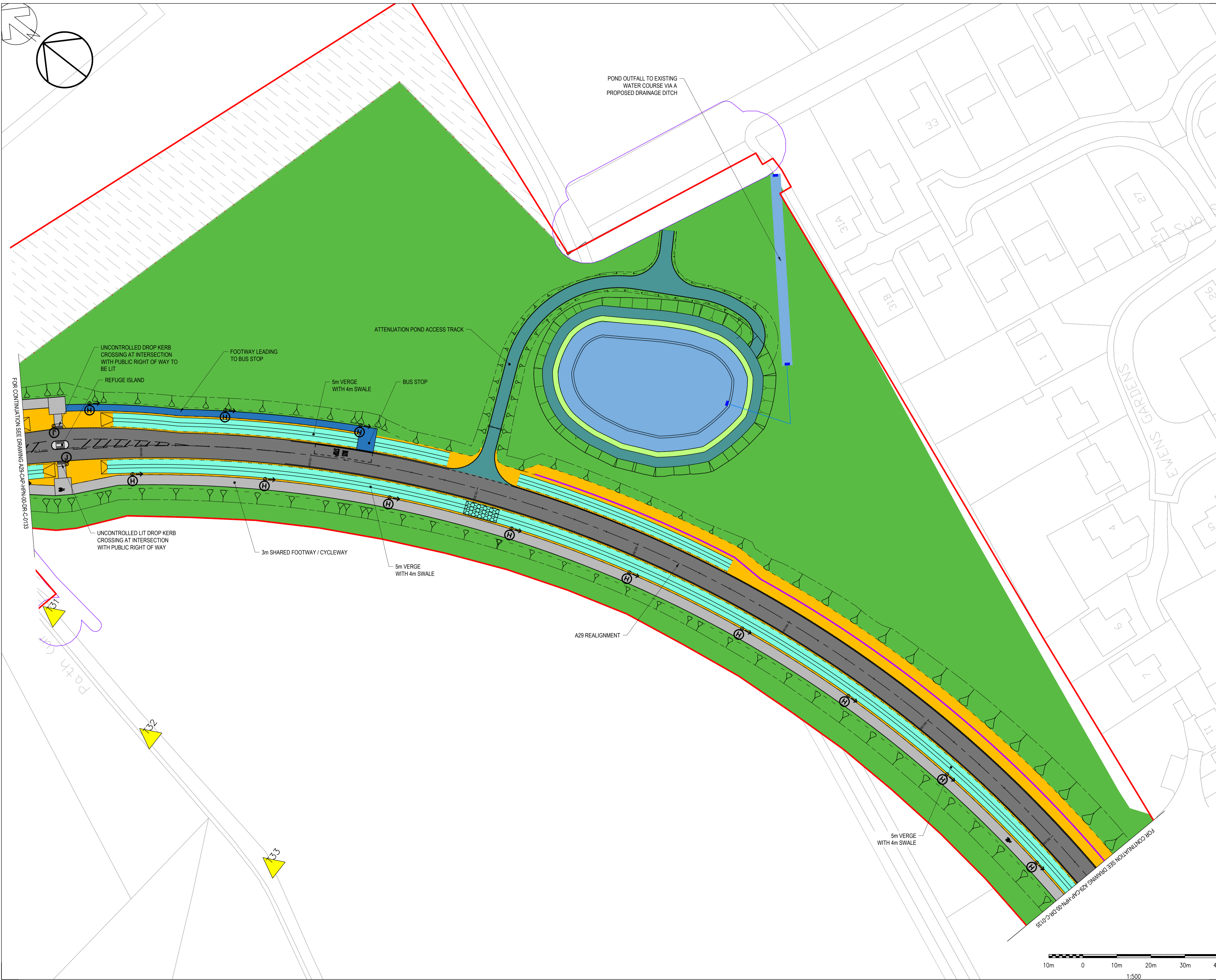
Scale @ A1	Drawn	Checked	Approved
1:500	PD	DAH	KS

Project No.	Date
CS099505	12.06.20

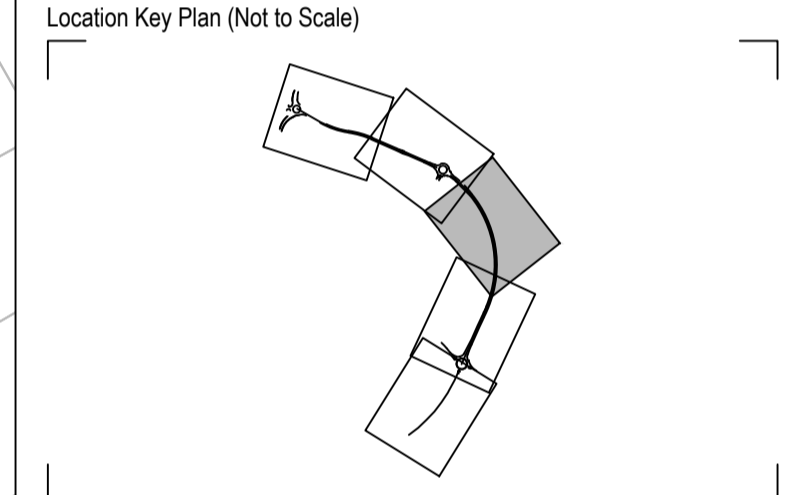
Drawing Identifier: **A29-CAP-HPN-00-DR-C-0133** Revision: **P05**



Capita House, Wood Street, East Grinstead, RH19 1UU
01342 327161
www.capitaproperty.co.uk
Capita Property and Infrastructure Ltd.



- NOTES:**
1. ALL DIMENSIONS ARE IN METRES UNLESS OTHERWISE STATED.
 2. EARTHWORKS SIDE SLOPES ARE 1 IN 3 WHERE POSSIBLE. IN AREAS LIMITED BY LAND OR ENVIRONMENTAL RESTRICTIONS, STEEPER SLOPES HAVE BEEN GENERATED. SLOPES SUBJECT TO GROUND INVESTIGATION.
 3. EXACT LOCATION AND FORM OF HEADWALLS AND ASSOCIATED CULVERTS TO BE CONFIRMED FOLLOWING SITE INVESTIGATION.
- KEY:**
- CARRIAGEWAY
 - FOOTWAY
 - SHARED USE FOOTWAY/CYCLEWAY
 - SWALE
 - TRAFFIC ISLANDS
 - SOFT LANDSCAPING
 - CARRIAGEWAY VERGE
 - PLANTING IN SWALE. PLANTING OF LOW GROWTH PERENNIAL SPECIES NOT EXCEEDING 1.5m IN HEIGHT PREFERABLY EVERGREEN.
 - PROPOSED ATTENUATION / INFILTRATION POND (POND SIZE & LAYOUT TO BE CONFIRMED FOLLOWING INFILTRATION TESTING & SITE INVESTIGATION).
 - RED LINE BOUNDARY
 - WILDLIFE CROSSING
 - INDICATIVE LIGHTING COLUMN WITH REFERENCE LETTER
 - ACOUSTIC BARRIER
 - TEMPORARY USE LAND
 - TREE PRESERVATION ORDER - INDICATIVE LOCATION ONLY
 - ROOT PROTECTION AREA - INDICATIVE LOCATION ONLY



P05	LR	KS	AB	LABELS AMENDED	21.10.20
P04	LR	KS	AB	HIGHWAY LAYOUT AND REDLINE BOUNDARY UPDATED	16.10.20
P03	PD	KS	AB	KEY ADDED	03.09.20
P02	LR	KS	AB	LABELS ADDED / AMENDED	28.08.20
P01	PD	DAH	KS	FIRST ISSUE	12.06.20

Rev	Drawn	Checked	App'd	Description	Date
-----	-------	---------	-------	-------------	------

Purpose of Issue: **For Planning** S0

Classification: **Public**

Client:

Project: **A29 Realignment Scheme**

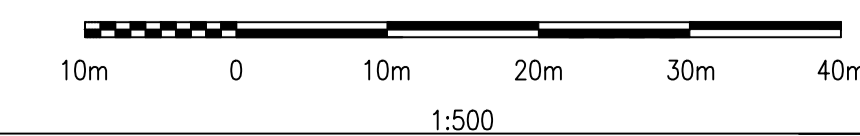
Drawing: **Site Plan Sheet 3 of 5**

Scale @ A1	Drawn	Checked	Approved
1:500	PD	RP	KS
Project No.	Date		
CS099505	12.06.20		

Drawing Identifier		BS1192 Compliant
Project - Originator - Zone - Level - File Type - Role - Number	revision	
A29-CAP-HPN-00-DR-C-0134	P05	

CAPITA

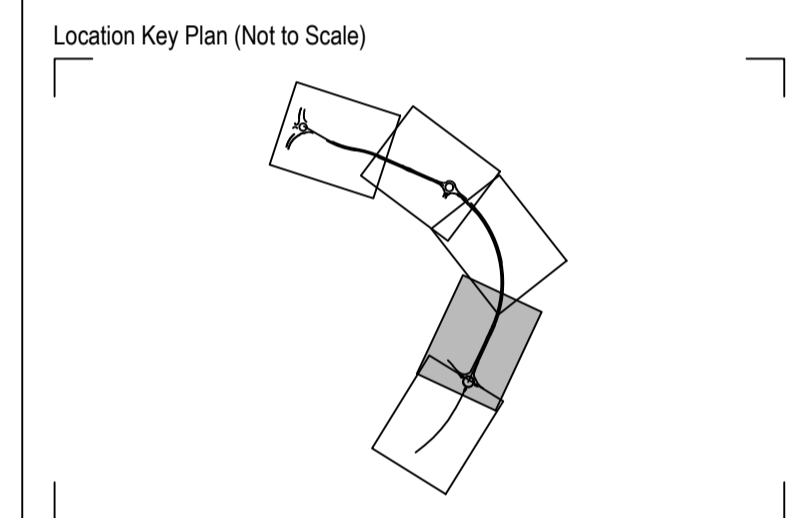
Capita House, Wood Street, East Grinstead, RH19 1UU
01342 327161
www.capitaproperty.co.uk
Capita Property and Infrastructure Ltd.



P05_12.06.20_11.45.35



- NOTES:**
1. ALL DIMENSIONS ARE IN METRES UNLESS OTHERWISE STATED.
 2. EARTHWORKS SIDE SLOPES ARE 1 IN 3 WHERE POSSIBLE. IN AREAS LIMITED BY LAND OR ENVIRONMENTAL RESTRICTIONS, STEEPER SLOPES HAVE BEEN GENERATED. SLOPES SUBJECT TO GROUND INVESTIGATION.
 3. EXACT LOCATION AND FORM OF HEADWALLS AND ASSOCIATED CULVERTS TO BE CONFIRMED FOLLOWING SITE INVESTIGATION.
- KEY**
- CARRIAGEWAY
 - FOOTWAY
 - SHARED USE FOOTWAY/CYCLEWAY
 - SWALE
 - TRAFFIC ISLANDS
 - SOFT LANDSCAPING
 - CARRIAGEWAY VERGE
 - PLANTING IN SWALE. PLANTING OF LOW GROWTH PERENNIAL SPECIES NOT EXCEEDING 1.5m IN HEIGHT PREFERABLY EVERGREEN.
 - PROPOSED ATTENUATION / INFILTRATION POND (POND SIZE & LAYOUT TO BE CONFIRMED FOLLOWING INFILTRATION TESTING & SITE INVESTIGATION).
 - RED LINE BOUNDARY
 - WILDLIFE CROSSING
 - INDICATIVE LIGHTING COLUMN WITH REFERENCE LETTER
 - ACOUSTIC BARRIER
 - TEMPORARY USE LAND
 - TREE PRESERVATION ORDER - INDICATIVE LOCATION ONLY
 - ROOT PROTECTION AREA - INDICATIVE LOCATION ONLY



P05	LR	KS	AB	LABELS AMENDED	21.10.20
P04	LR	KS	AB	HIGHWAY LAYOUT AND REDLINE BOUNDARY UPDATED	16.10.20
P03	PD	KS	AB	KEY UPDATED	03.09.20
P02	LR	KS	AB	LABELS ADDED / AMENDED	28.08.20
P01	PD	DAH	KS	FIRST ISSUE	12.06.20
Rev	Drawn	Checked	Approved	Description	Date

Purpose of Issue: **For Planning** S0

Classification: **Public**

Client:

Project: **A29 Realignment Scheme**

Drawing: **Site Plan Sheet 4 of 5**

Scale @ A1	Drawn	Checked	Approved
1:500	PD	DAH	KS
Project No.	Date		
CS099505	14.06.20		

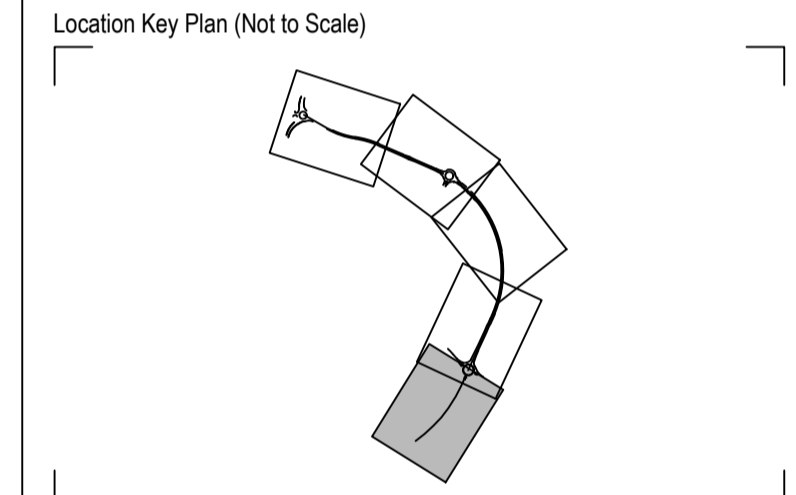
Drawing Identifier: **A29-CAP-HPN-00-DR-C-0135** P05

Capita House, Wood Street, East Grinstead, RH19 1UU
01342 327161
www.capitaproperty.co.uk
Capita Property and Infrastructure Ltd.



- NOTES:
1. ALL DIMENSIONS ARE IN METRES UNLESS OTHERWISE STATED.
 2. EARTHWORKS SIDE SLOPES ARE 1 IN 3 WHERE POSSIBLE. IN AREAS LIMITED BY LAND OR ENVIRONMENTAL RESTRICTIONS, STEEPER SLOPES HAVE BEEN GENERATED. SLOPES SUBJECT TO GROUND INVESTIGATION.
 3. EXACT LOCATION AND FORM OF HEADWALLS AND ASSOCIATED CULVERTS TO BE CONFIRMED FOLLOWING SITE INVESTIGATION.

- KEY
- CARRIAGEWAY
 - FOOTWAY
 - SHARED USE FOOTWAY/CYCLEWAY
 - SWALE
 - TRAFFIC ISLANDS
 - SOFT LANDSCAPING
 - CARRIAGEWAY VERGE
 - PLANTING IN SWALE. PLANTING OF LOW GROWTH PERENNIAL SPECIES NOT EXCEEDING 1.5m IN HEIGHT PREFERABLY EVERGREEN.
 - PROPOSED ATTENUATION / INFILTRATION POND (POND SIZE & LAYOUT TO BE CONFIRMED FOLLOWING INFILTRATION TESTING & SITE INVESTIGATION).
 - RED LINE BOUNDARY
 - WILDLIFE CROSSING
 - INDICATIVE LIGHTING COLUMN WITH REFERENCE LETTER
 - ACOUSTIC BARRIER
 - TEMPORARY USE LAND
 - TREE PRESERVATION ORDER - INDICATIVE LOCATION ONLY
 - ROOT PROTECTION AREA - INDICATIVE LOCATION ONLY



Rev	Drawn	Checked	App'd	Description	Date
P04	LR	KS	AB	HIGHWAY LAYOUT AND REDLINE BOUNDARY UPDATED	16.10.20
P03	PD	KS	AB	KEY UPDATED	03.09.20
P02	LR	KS	AB	LABELS ADDED / AMENDED	28.08.20
P01	PD	DAH	KS	FIRST ISSUE	12.06.20

Purpose of Issue
For Planning **S0**

Classification
Public



Project
A29 Realignment Scheme

Drawing
Site Plan
Sheet 5 of 5

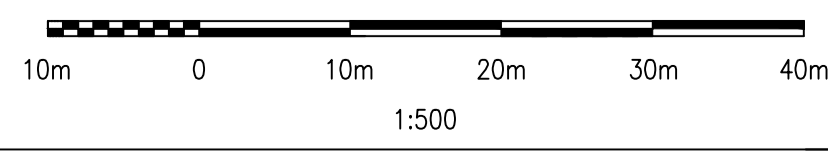
Scale @ A1	Drawn	Checked	Approved
1:500	PD	DAH	KS

Project No.	Date
CS099505	12.06.20

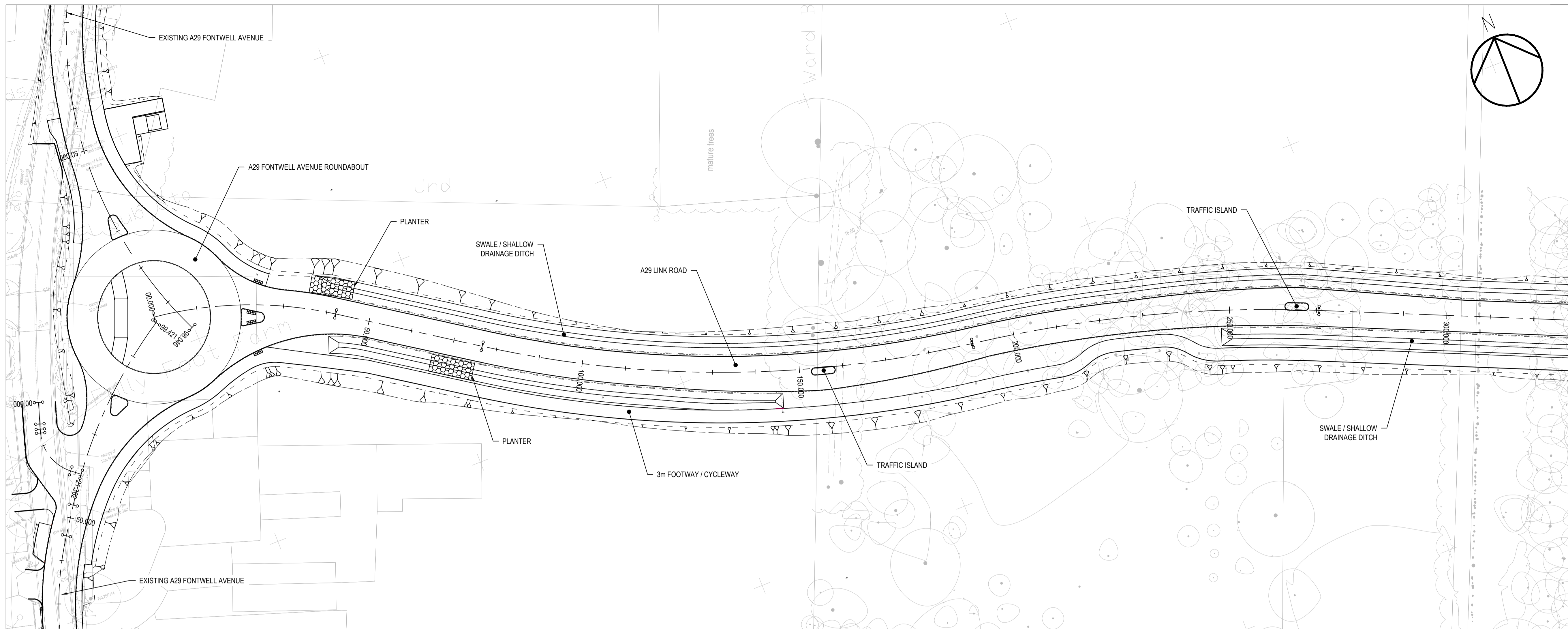
Drawing Identifier
 Project - Originator - Zone - Level - File Type - Role - Number
A29-CAP-HPN-00-DR-C-0136 **P04**



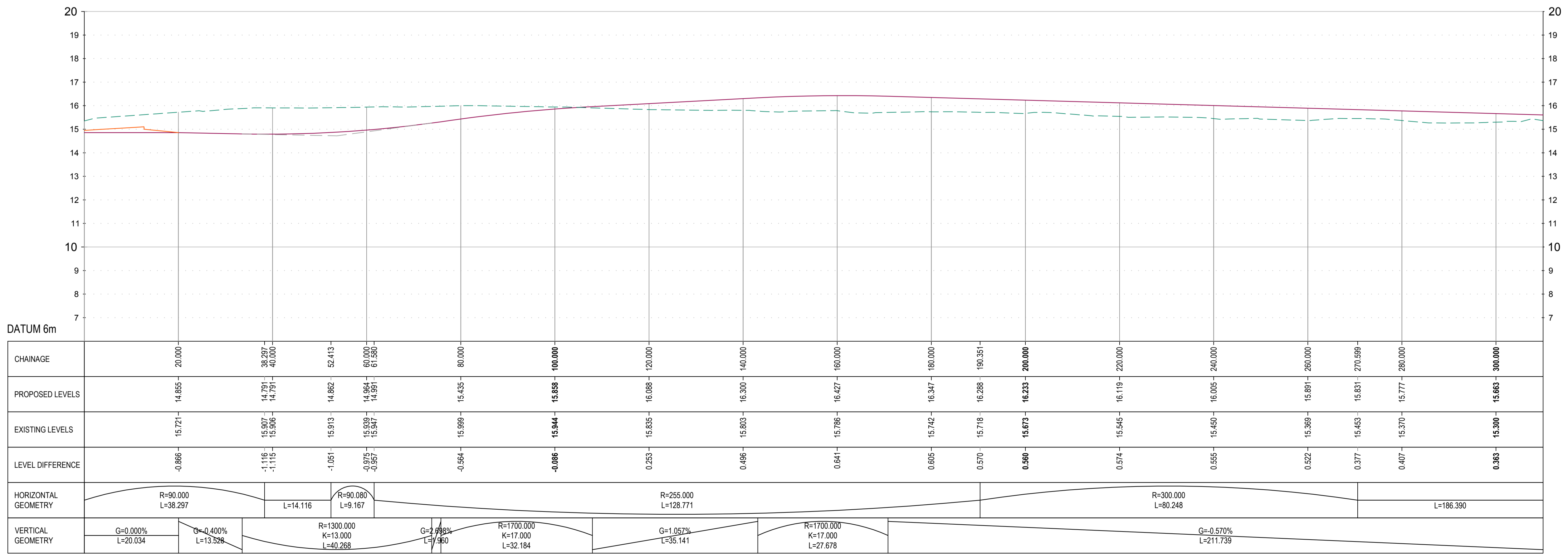
Capita House, Wood Street, East Grinstead, RH19 1UU
 01342 327161
 www.capitaproperty.co.uk
 Capita Property and Infrastructure Ltd.



Print Date: 19/10/2020 16:43:10



PLAN
Scale 1:500



PROFILE
Scale H 1:500, V 1:100

- NOTES:
- ALL DIMENSIONS ARE IN METRES UNLESS NOTED OTHERWISE.
 - FOR FULL DETAILS OF HIGHWAY LAYOUT SEE DRAWING Nos. A29-CAP-HPN-00-DR-C-0132 to 0136.

- KEY (PLAN):
- CENTRELINE WITH CHAINAGE IN METRES
 - ENGINEERING EARTHWORKS
 - TREE
- KEY (PROFILE):
- EXISTING GROUND LEVEL
 - PROPOSED GROUND LEVEL
 - ROUNDABOUT PROFILE
- R RADIUS
L LENGTH
G GRADIENT
K K VALUE

Rev	Drawn	Checked	App'd	Description	Date
P03	CS	KS	AB	HIGHWAY LAYOUT UPDATED	16.10.20
P02	JPC	KS	AB	NOTES ADDED AND KEY UPDATED	28.08.20
P01	JPC	DAH	KS	FIRST ISSUE	03.07.20

Purpose of Issue
For Planning **S0**

Classification
Public



Project
A29 Realignment Scheme

Drawing
**A29 Link Road
Plan and Profile
Sheet 1 of 4**

Scale @ A1	Drawn	Checked	Approved
AS SHOWN	JPC	DAH	KS

Project No. **CS099505** Date **03.07.20**

Drawing Identifier
Project - Originator - Zone - Level - File Type - Role - Number
A29-CAP-HPN-00-DR-C-0175 **P03**

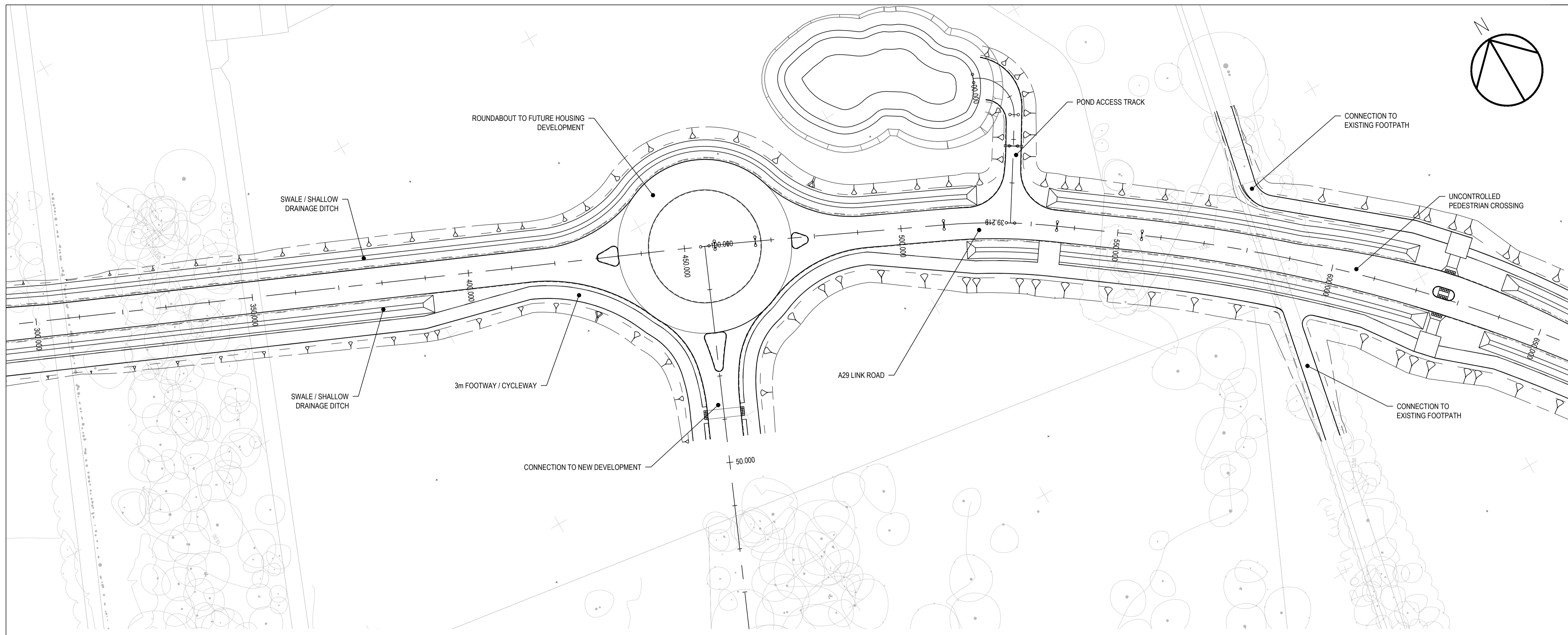


Capita House, Wood Street, East Grinstead, RH19 1UU
01342 327161
www.capitaproperty.co.uk
Capita Property and Infrastructure Ltd.

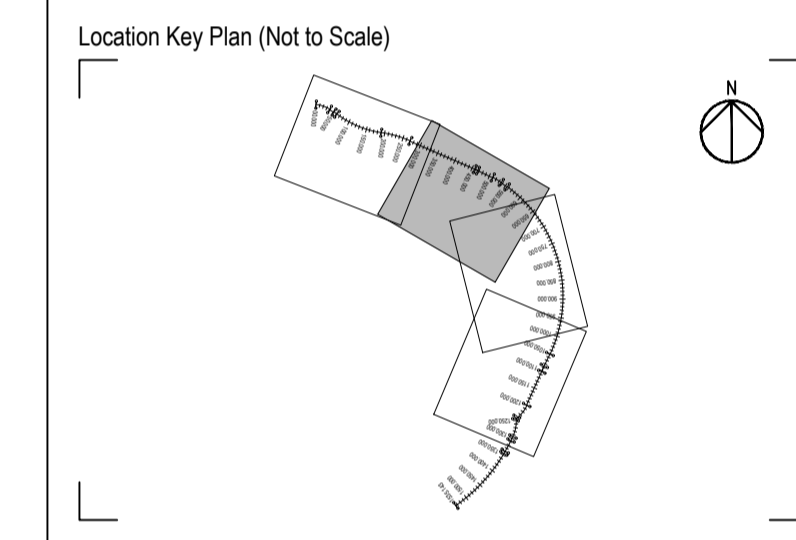
Print Date: 16/10/2020 09:45:15

- NOTES:
- ALL DIMENSIONS ARE IN METRES UNLESS NOTED OTHERWISE.
 - FOR FULL DETAILS OF HIGHWAY LAYOUT SEE DRAWING Nos. A29-CAP-HPN-00-DR-C-0132 to 0136.

- KEY (PLAN):
- CENTRELINE WITH CHAINAGE IN METRES
 - ENGINEERING EARTHWORKS
 - TREE
- KEY (PROFILE):
- EXISTING GROUND LEVEL
 - PROPOSED GROUND LEVEL
 - ROUNDABOUT PROFILE
- R RADIUS
L LENGTH
G GRADIENT
K K VALUE



PLAN
Scale 1:500



Rev	Drawn	Chk'd	App'd	Description	Date
P03	CS	KS	AB	HIGHWAY LAYOUT UPDATED	16.10.20
P02	JPC	KS	AB	NOTES ADDED AND KEY UPDATED	28.08.20
P01	JPC	DAH	KS	FIRST ISSUE	03.07.20

Purpose of Issue
For Planning **S0**

Classification
Public



Project
A29 Realignment Scheme

Drawing
**A29 Link Road
Plan and Profile
Sheet 2 of 4**

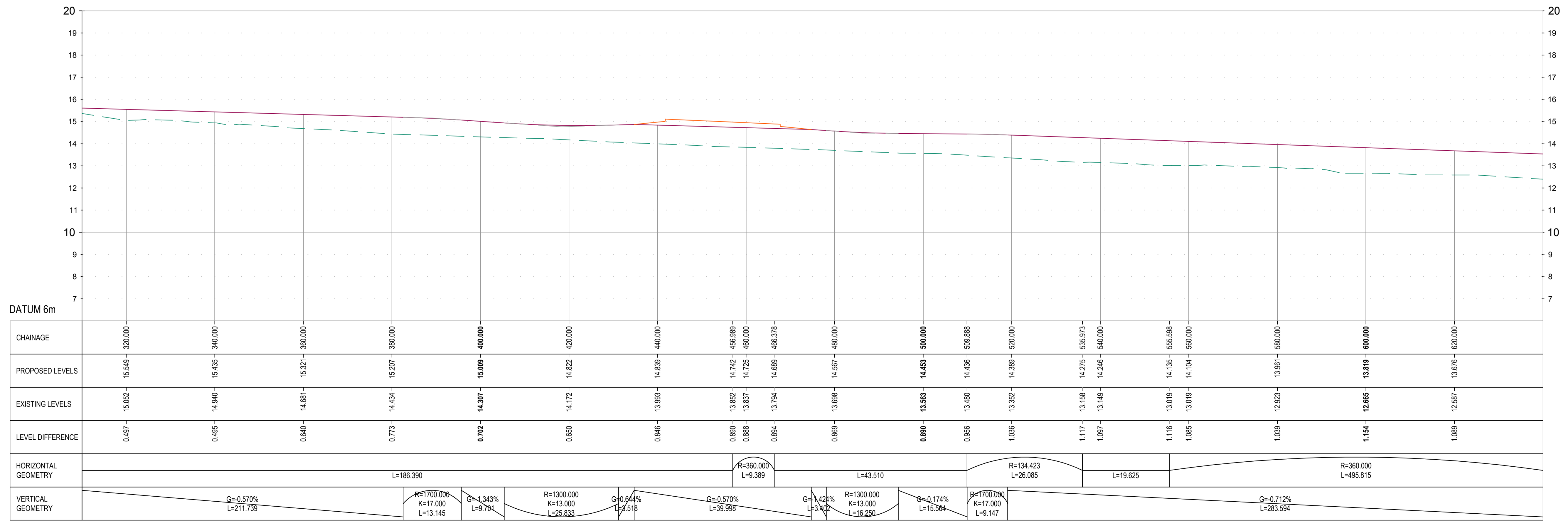
Scale @ A1	Drawn	Checked	Approved
AS SHOWN	JPC	DAH	KS

Project No. **CS099505** Date **03.07.20**

Drawing Identifier **A29-CAP-HPN-00-DR-C-0176** BS1192 Compliant revision **P03**



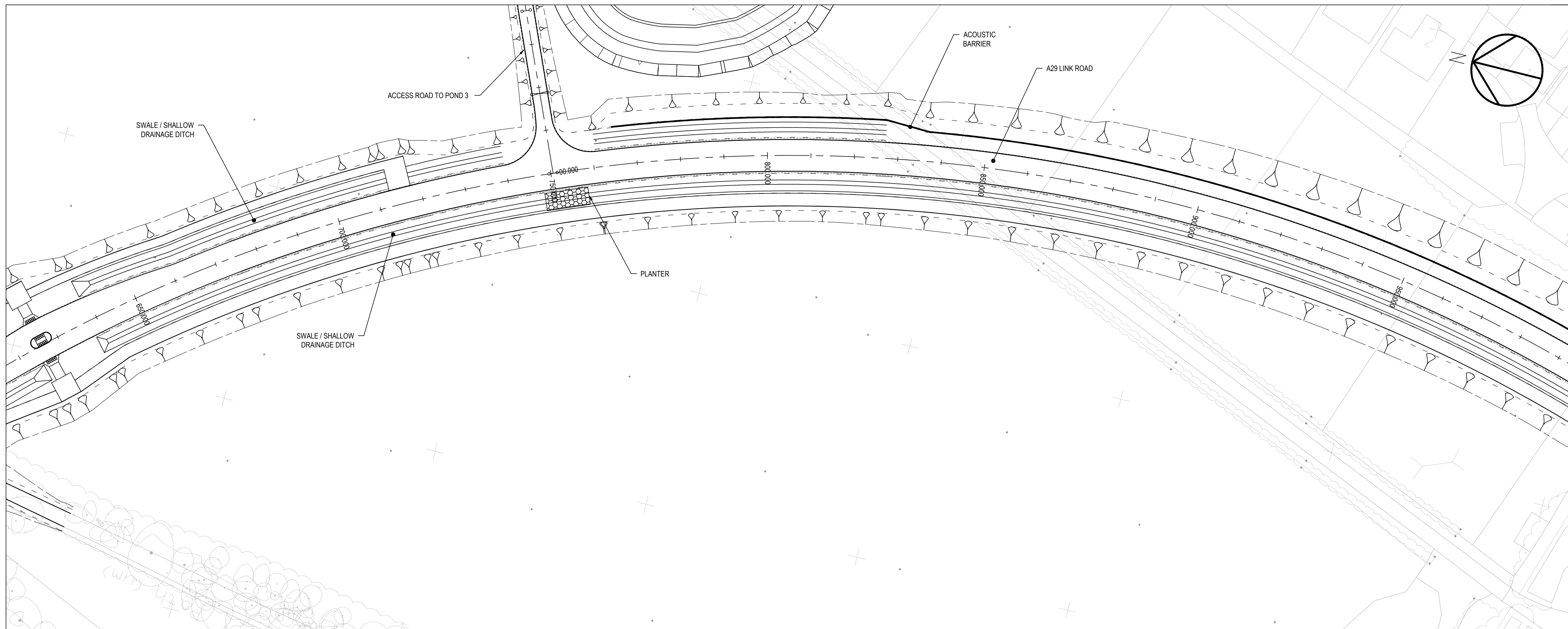
Capita House, Wood Street, East Grinstead, RH19 1UU
01342 327161
www.capitaproperty.co.uk
Capita Property and Infrastructure Ltd.



PROFILE
Scale H 1:500, V 1:100

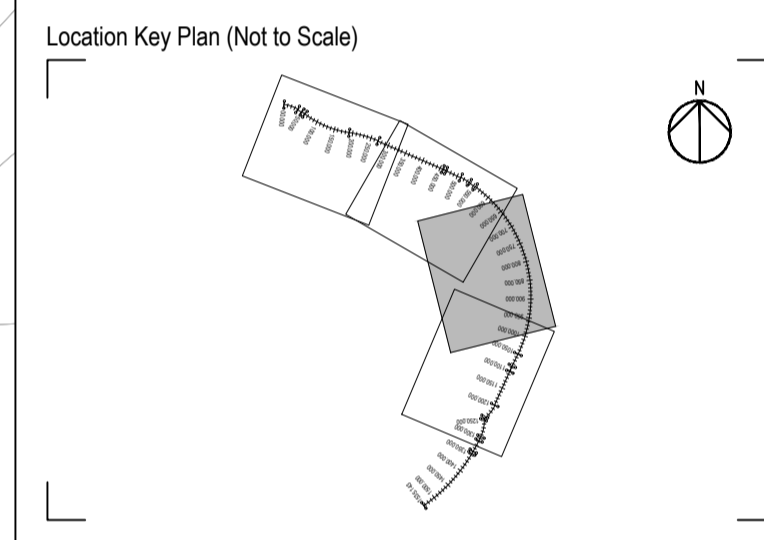


Print Date: 16/10/2020 09:44:11



PLAN
Scale 1:500

- NOTES:
- ALL DIMENSIONS ARE IN METRES UNLESS NOTED OTHERWISE.
 - FOR FULL DETAILS OF HIGHWAY LAYOUT SEE DRAWING Nos. A29-CAP-HPN-00-DR-C-0132 to 0136.
- KEY (PLAN):
- CENTRELINE WITH CHAINAGE IN METRES
 - ENGINEERING EARTHWORKS
 - TREE
- KEY (PROFILE):
- EXISTING GROUND LEVEL
 - PROPOSED GROUND LEVEL
 - ROUNDABOUT PROFILE
- R RADIUS
L LENGTH
G GRADIENT
K K VALUE



Rev	Drawn	Checked	App'd	Description	Date
P03	CS	KS	AB	HIGHWAY LAYOUT UPDATED	16.10.20
P02	JPC	KS	AB	NOTES ADDED AND KEY UPDATED	28.06.20
P01	JPC	DAH	KS	FIRST ISSUE	03.07.20

Purpose of Issue
For Planning **S0**

Classification
Public



Project
A29 Realignment Scheme

Drawing
**A29 Link Road
Plan and Profile
Sheet 3 of 4**

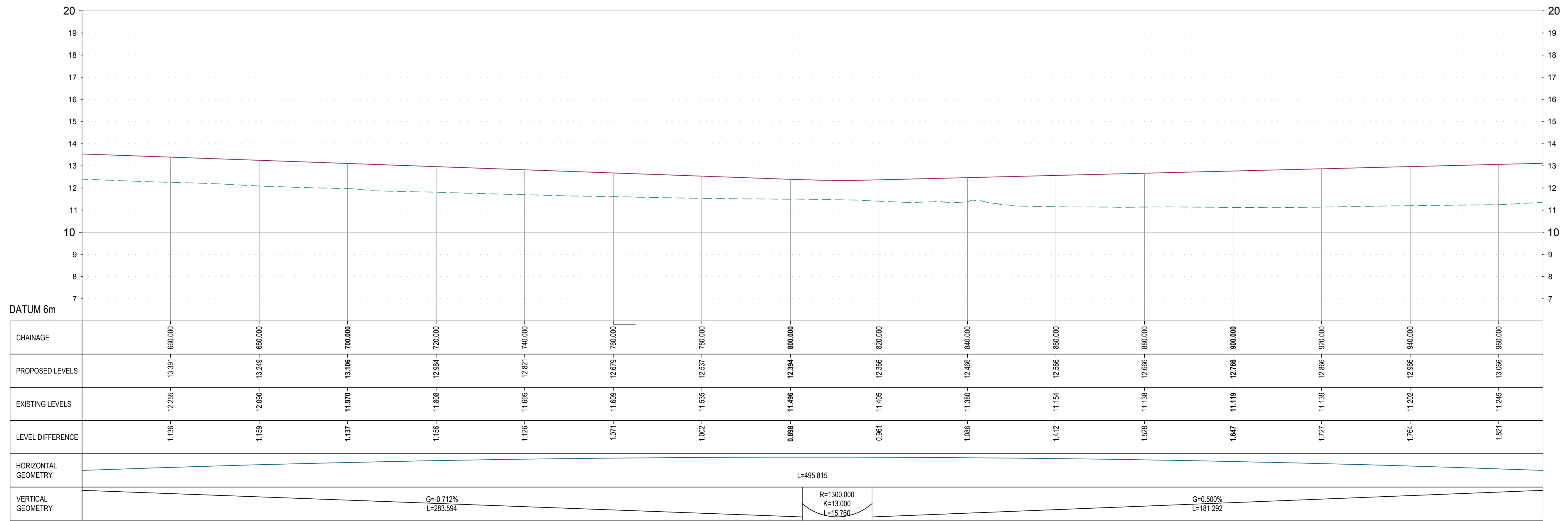
Scale @ A1	Drawn	Checked	Approved
AS SHOWN	JPC	DAH	KS

Project No. **CS099505** Date **03.07.20**

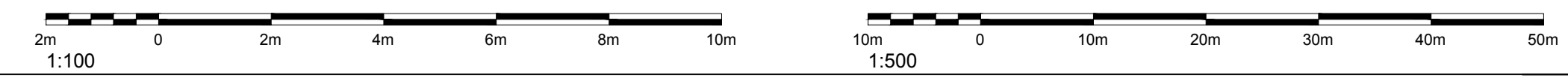
Drawing Identifier **A29-CAP-HPN-00-DR-C-0177** revision **P03**



Capita House, Wood Street, East Grinstead, RH19 1UU
01342 327161
www.capitaproperty.co.uk
Capita Property and Infrastructure Ltd.



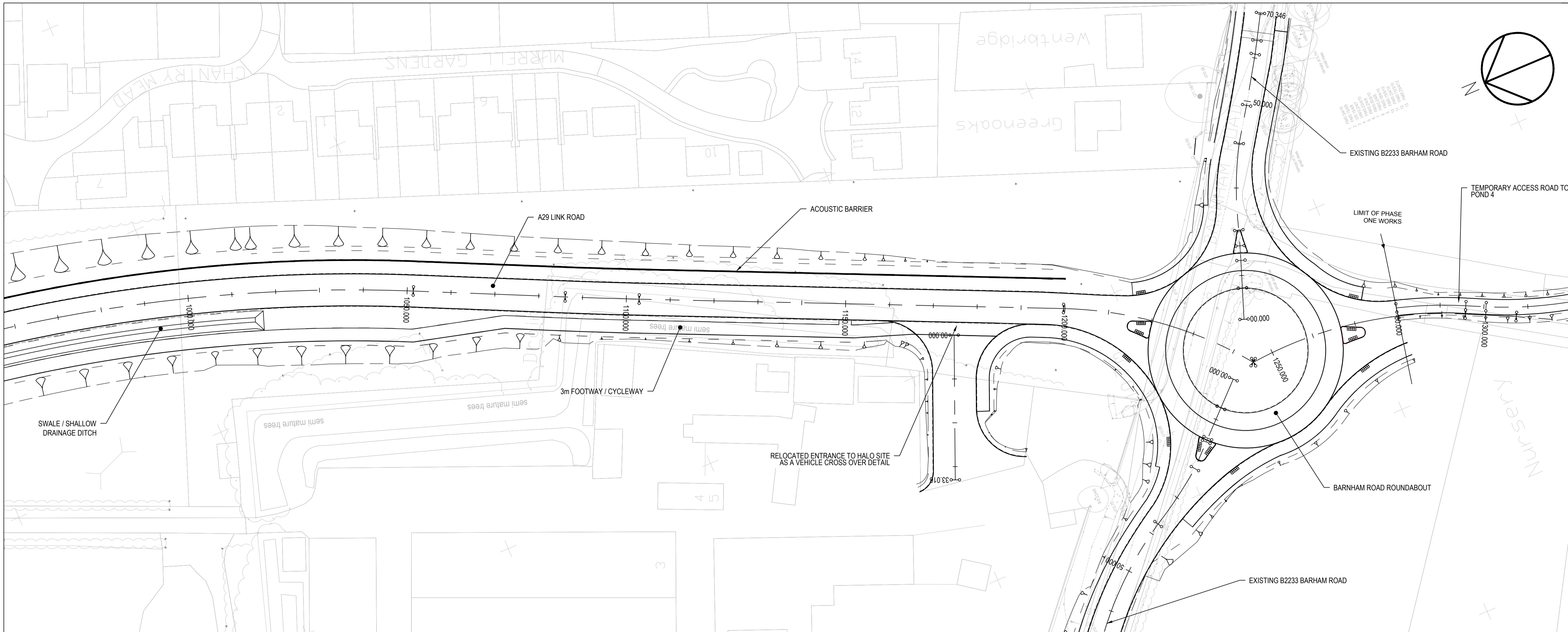
PROFILE
Scale H 1:500, V 1:100



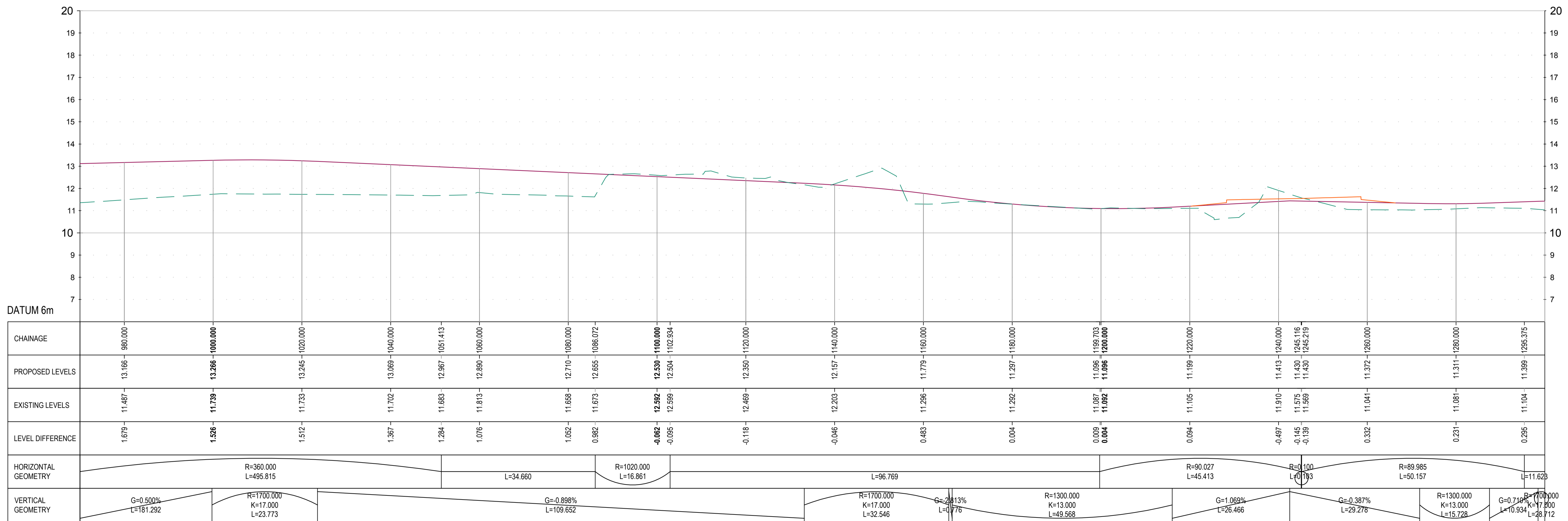
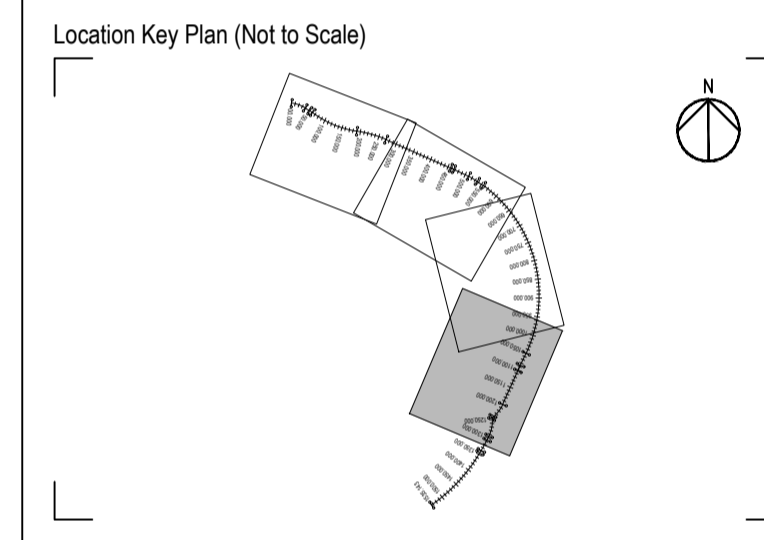
Plot Date: 03/07/2020 13:30:39

- NOTES:
1. ALL DIMENSIONS ARE IN METRES UNLESS NOTED OTHERWISE.
 2. FOR FULL DETAILS OF HIGHWAY LAYOUT SEE DRAWING Nos. A29-CAP-HPN-00-DR-C-0132 to 0136.

- KEY (PLAN):
- CENTRELINE WITH CHAINAGE IN METRES
 - ENGINEERING EARTHWORKS
 - TREE
- KEY (PROFILE):
- EXISTING GROUND LEVEL
 - PROPOSED GROUND LEVEL
 - ROUNDBOULT PROFILE
- R RADIUS
L LENGTH
G GRADIENT
K K VALUE



PLAN
Scale 1:500



PROFILE
Scale H 1:500, V 1:100

Rev	Drawn	Checked	App'd	Description	Date
P04	LR	KS	AB	LABELS AMENDED	21.10.20
P03	CS	KS	AB	HIGHWAY LAYOUT UPDATED	16.10.20
P02	JPC	KS	AB	NOTES ADDED AND KEY UPDATED	28.08.20
P01	JPC	DAH	KS	FIRST ISSUE	03.07.20

Purpose of Issue: For Planning S0

Classification: Public



Project: A29 Realignment Scheme

Drawing: A29 Link Road Plan and Profile Sheet 4 of 4

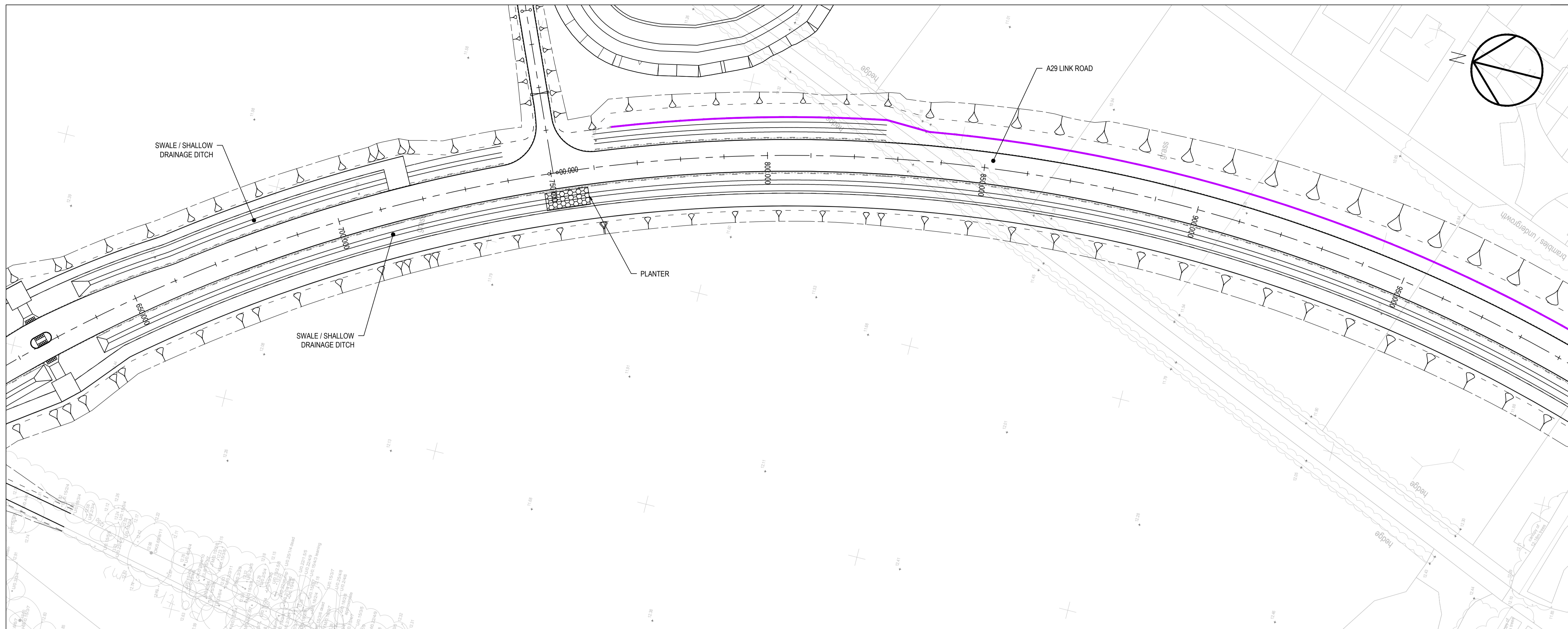
Scale @ A1	Drawn	Checked	Approved
AS SHOWN	JPC	DAH	KS

Project No: CS099505 Date: 03.07.20

Drawing Identifier: A29-CAP-HPN-00-DR-C-0178 revision P04

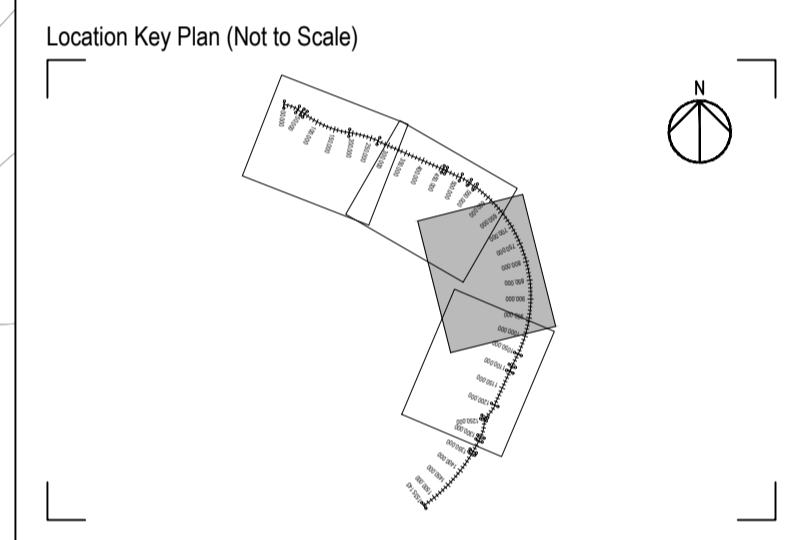


Capita House, Wood Street, East Grinstead, RH19 1UU
01342 327161
www.capitaproperty.co.uk
Capita Property and Infrastructure Ltd.



PLAN
Scale 1:500

- NOTES:
- ALL DIMENSIONS ARE IN METRES UNLESS NOTED OTHERWISE.
 - FOR FULL DETAILS OF HIGHWAY LAYOUT SEE DRAWING Nos. A29-CAP-HPN-00-DR-C-0132 to 0136.
 - FOR CROSS SECTIONS REFER TO DRAWING Nos. A29-CAP-HPN-00-DR-C-0180 to 0182.
- KEY (PLAN):
- CENTRELINE WITH CHAINAGE IN METRES
 - ENGINEERING EARTHWORKS
 - ACOUSTIC BARRIER
- KEY (PROFILE):
- EXISTING GROUND LEVEL
 - PROPOSED GROUND LEVEL
 - ROUNDBOUT PROFILE
- R RADIUS
L LENGTH
G GRADIENT
K K VALUE



Rev	Drawn	Checked	App'd	Description	Date
P03	CS	KS	AB	HIGHWAY LAYOUT UPDATED	16.10.20
P02	AB	KS	AB	UPDATED MODELS	28.08.20
P01	JPC	DAH	KS	FIRST ISSUE	13.07.20

Purpose of Issue
For Planning **S0**

Classification
Public

Client



Project
A29 Realignment Scheme

Drawing
**Proposed Elevations
Acoustic Barrier
Sheet 1 of 2**

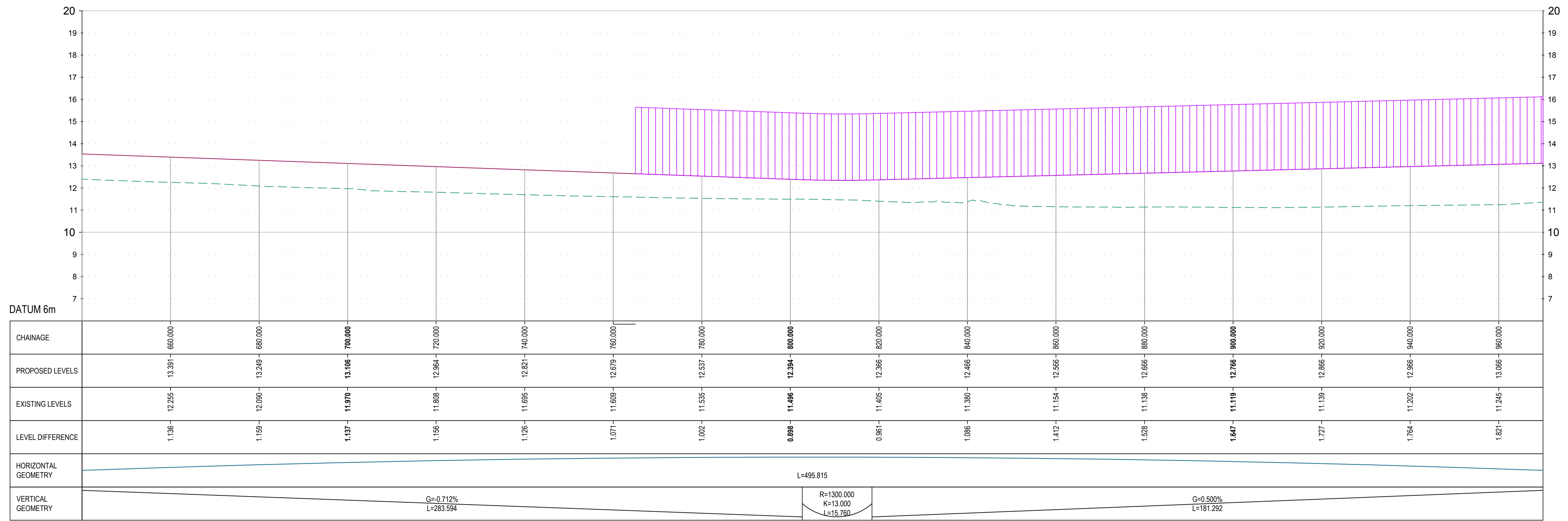
Scale @ A1	Drawn	Checked	Approved
AS SHOWN	JPC	DAH	KS

Project No. CS099505 Date 13.07.20

Drawing Identifier
Project - Originator - Zone - Level - File Type - Role - Number
A29-CAP-HPN-00-DR-C-0183 revision P03



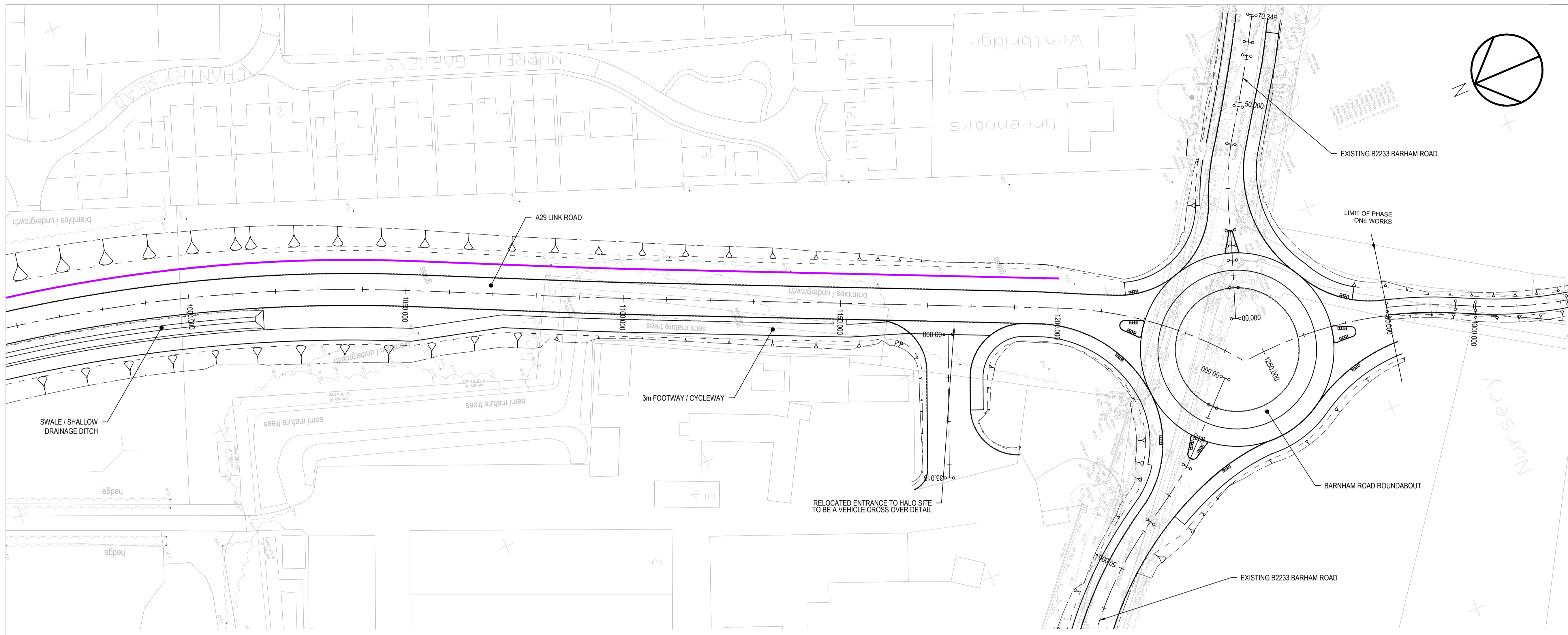
Capita House, Wood Street, East Grinstead, RH19 1UU
01342 327161
www.capitaproperty.co.uk
Capita Property and Infrastructure Ltd.



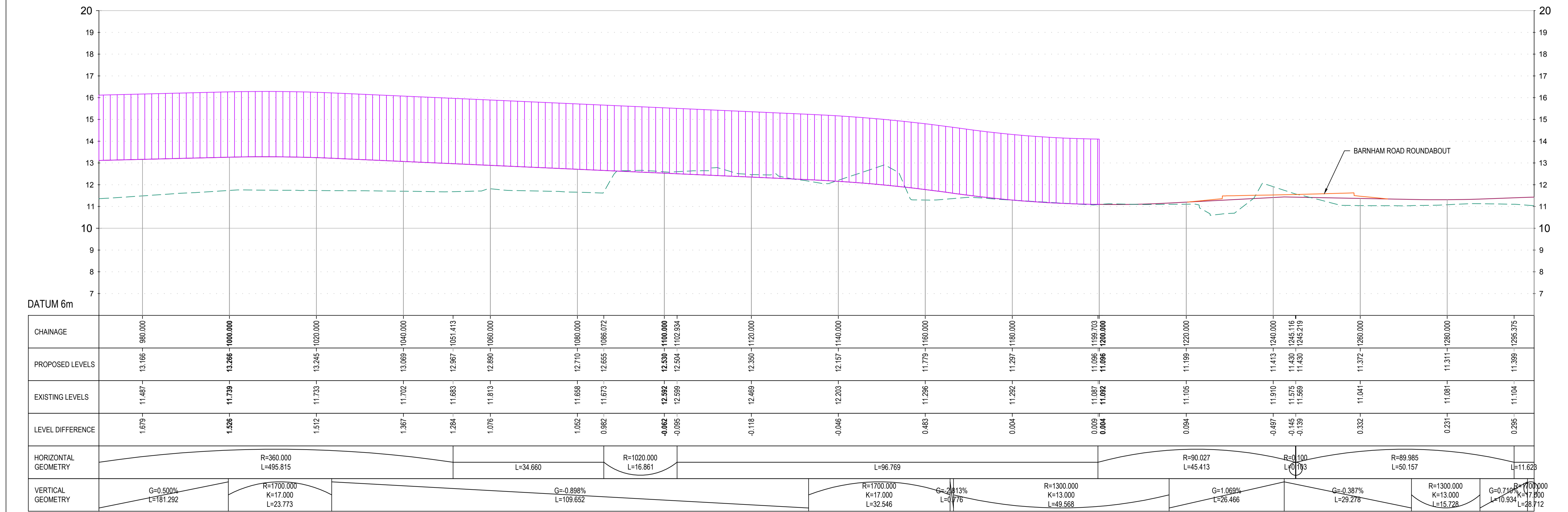
PROFILE
Scale H 1:500, V 1:100



Print Date: 16/10/2020 16:46:54



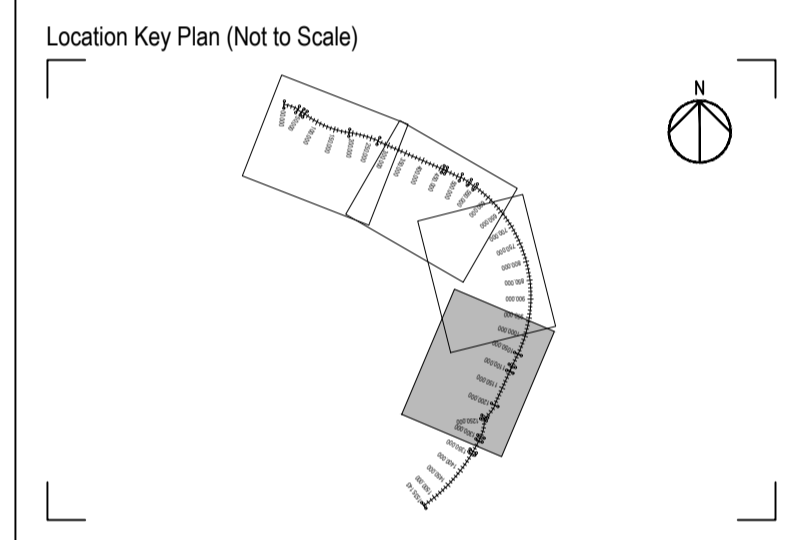
PLAN
Scale 1:500



PROFILE
Scale H 1:500, V 1:100

- NOTES:**
- ALL DIMENSIONS ARE IN METRES UNLESS NOTED OTHERWISE.
 - FOR FULL DETAILS OF HIGHWAY LAYOUT SEE DRAWING Nos. A29-CAP-HPN-00-DR-C-0132 to 0136.
 - FOR CROSS SECTIONS REFER TO DRAWING Nos. A29-CAP-HPN-00-DR-C-0180 to 0182.

- KEY (PLAN):**
- CENTRELINE WITH CHAINAGE IN METRES
 - ENGINEERING EARTHWORKS
 - ACOUSTIC BARRIER
- KEY (PROFILE):**
- EXISTING GROUND LEVEL
 - PROPOSED GROUND LEVEL
 - ROUNDABOUT PROFILE
- Legend:**
- R RADIUS
 - L LENGTH
 - G GRADIENT
 - K K VALUE



Rev	Drawn	Checked	App'd	Description	Date
P03	CS	KS	AB	HIGHWAY LAYOUT UPDATED	16.10.20
P02	AB	KS	AB	UPDATED MODELS	28.08.20
P01	JPC	DAH	KS	FIRST ISSUE	13.07.20

Purpose of Issue
For Planning **S0**

Classification
Public

Client
west sussex county council **Jackson**

Project
A29 Realignment Scheme

Drawing
Proposed Elevations
Acoustic Barrier
Sheet 2 of 2

Scale @ A1
AS SHOWN **JPC** **DAH** **KS**

Project No.
CS099505 **Date**
13.07.20

Drawing Identifier
Project - Originator - Zone - Level - File Type - Role - Number
A29-CAP-HPN-00-DR-C-0184 **P03**

