

Rights of Way

Standard Step Detail

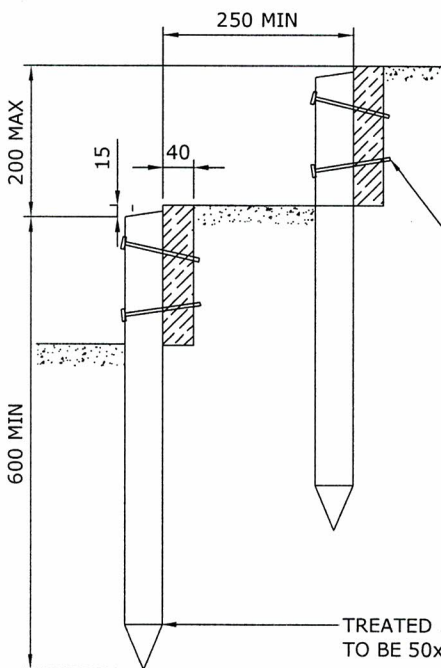
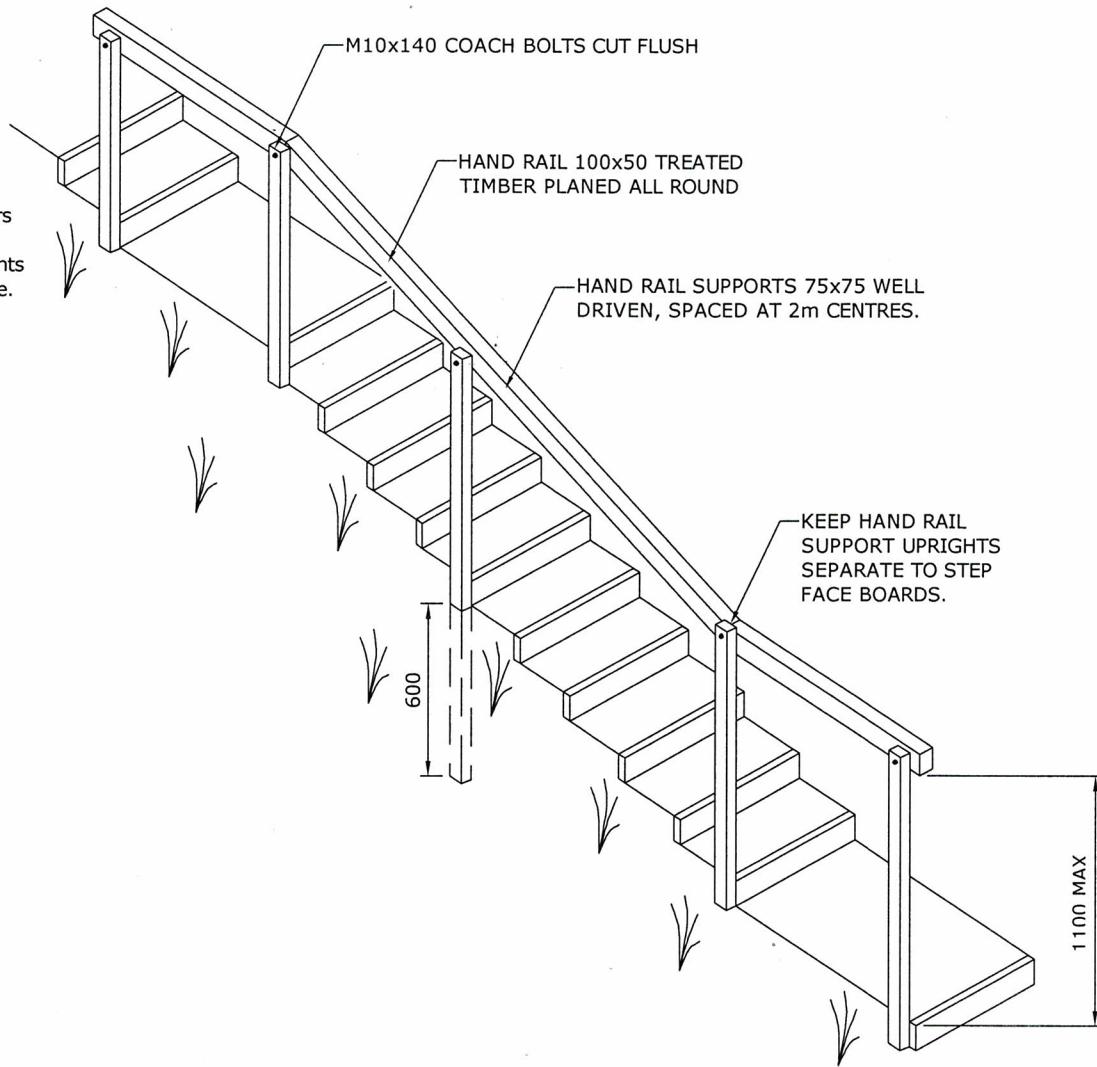
Visual Representations are for **reference only** and may not be to scale.

Measurements are stated in millimetres.

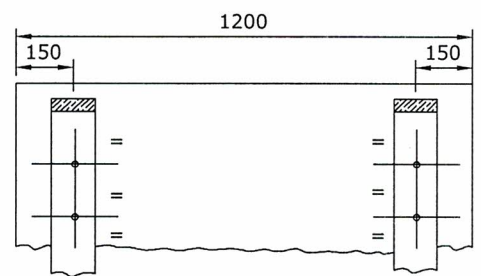
Notes:

A flight must not be more than 10 risers between landings. Landings to be min length of 1200 by 1200 wide. Long flights of steps should have curve in if possible.

Backfill steps with suitable material to level above fascia board and compact.



PIN STAKES TO FACE BOARDS WITH 100 LONG NAILS AT OBLIQUE ANGLES
STAKES TO BE VERTICAL IN ALL PLANES



Ref:	WSCC/PROW/SP01		
Date:	04.08.16	Rev:	A