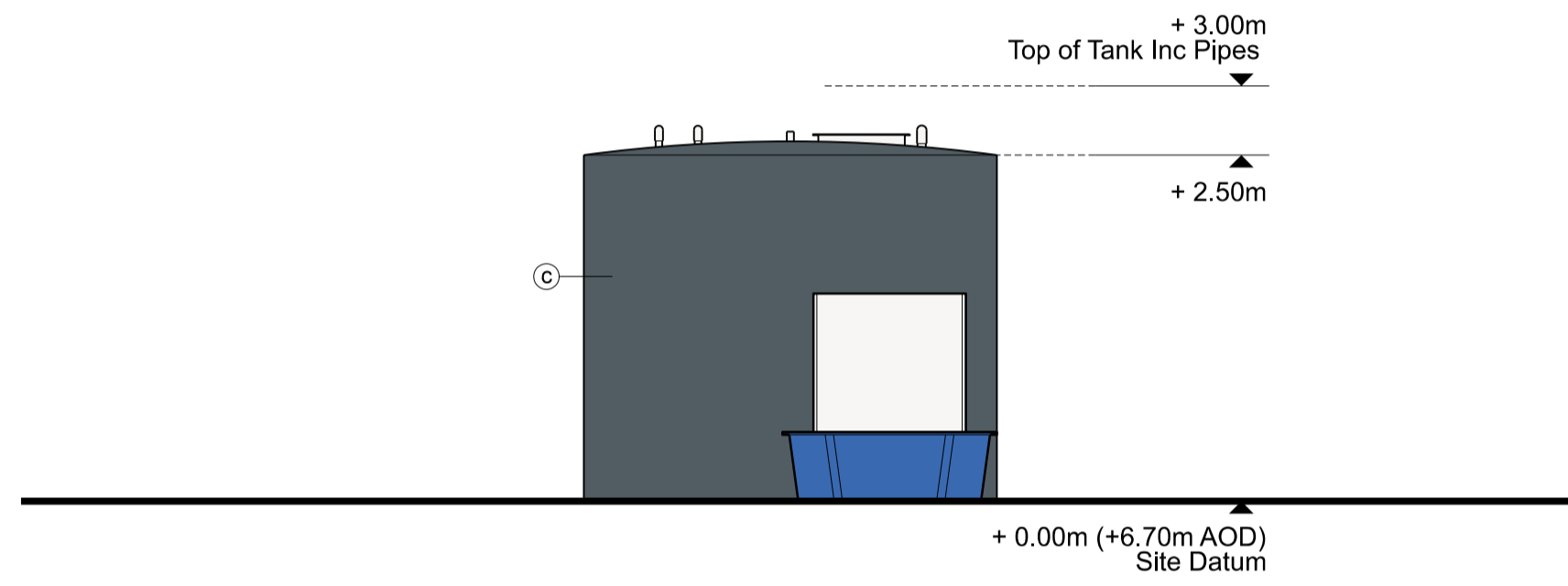
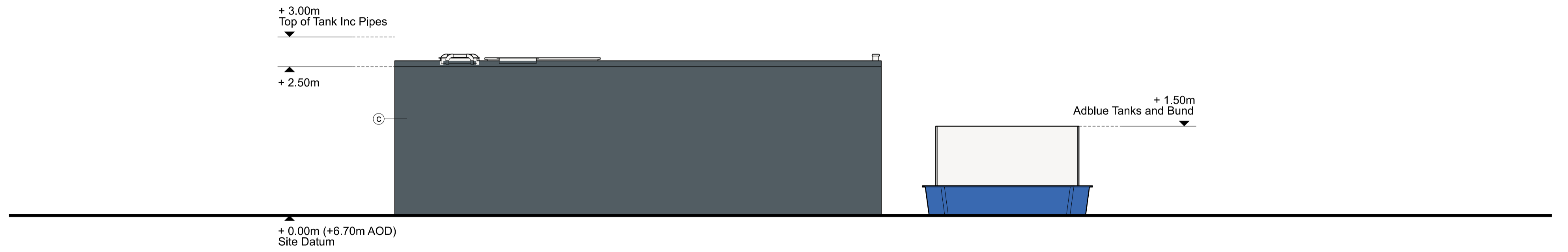


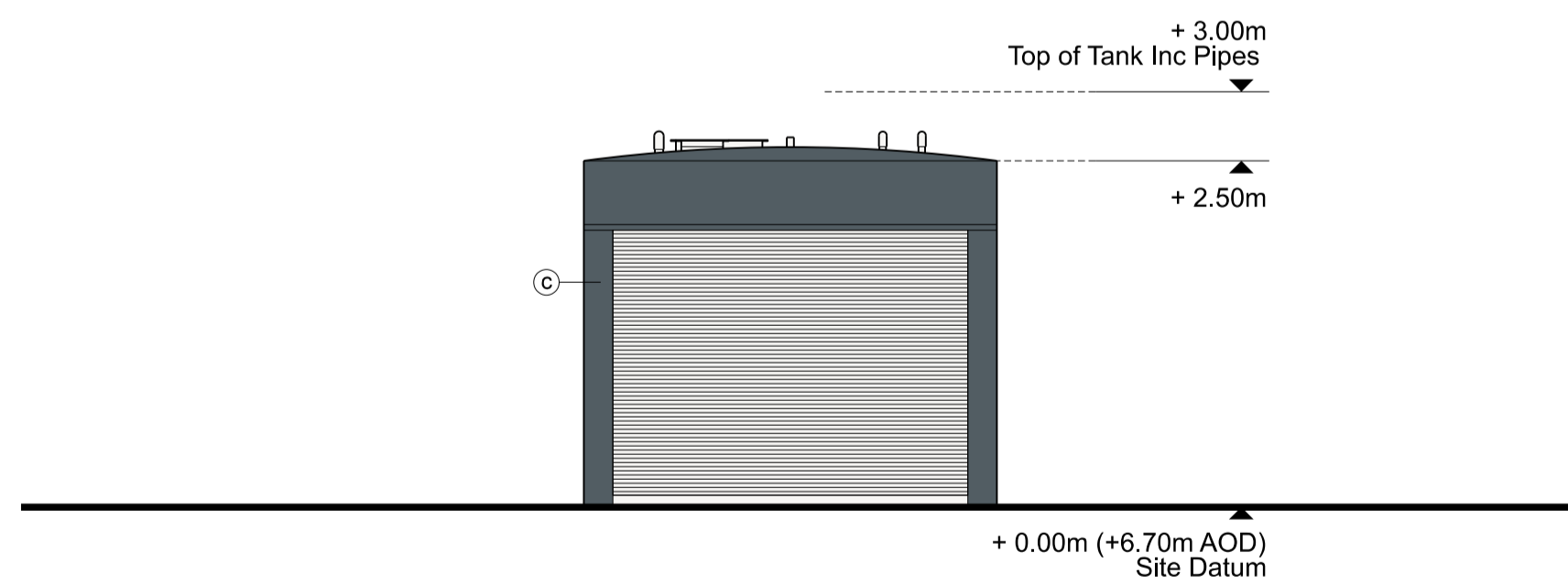
Ground / Roof Plan



South Elevation



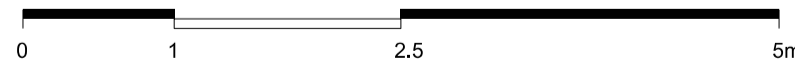
West Elevation



North Elevation



East Elevation



NOTE

- THIS DRAWING IS COPYRIGHT GSDA LTD.
- THE CONTRACTOR MUST NOT SCALE FROM THE DRAWING ALL DIMENSIONS TO BE TAKEN FROM DIMENSION STRINGS.
- WHERE ANY DISCREPANCIES ARE FOUND BETWEEN DIMENSIONS THESE MUST BE BROUGHT TO THE ATTENTION OF THE ARCHITECTS FOR RESOLUTION.
- WHERE DISCREPANCIES EXIST BETWEEN REFERENCE OR ASSEMBLY DRAWINGS & DETAIL DRAWINGS, THE LATTER TAKE PREFERENCE.

LEGEND	
(a) Eurodad Vieo Cladding System / flashing Colour: Seren Copper	(t) Knapped Flint Wall
(b) Eurodad Vieo Cladding System / flashing Colour: Seren Silver	(j) Metal roller shutter doors Colour: Anthracite (RAL 7016)
(c) Composite metal wall cladding / flashing Colour: Anthracite (RAL 7016)	(k) Metal roller shutter doors Colour: Albatross (RAL 240 80 05)
(d) Composite metal wall cladding / flashing Colour: Albatross (RAL 240 80 05)	(l) In situ / pre fab concrete plinths, bunds etc
(e) PPC aluminium louvres, Colour: Seren Silver	(m) PPC metal stack casing, metal ducting, tanks and silos Colour: Oyster (RAL 7035)
(f) PPC aluminium louvres, Colour: Albatross (RAL 240 80 05)	(n) PPC metal stack casing, metal ducting, tanks and silos Colour: Anthracite (RAL 7016)
(g) PPC aluminium louvres, Colour: Anthracite (RAL 7016)	(o) PPC aluminium framed curtain walling, glazing and personnel doors Colour: Anthracite (RAL 7016)
(h) PPC aluminium personnel doors Colour: Albatross (RAL 240 80 05)	(p) Flat roofing - Single ply membrane system, Colour: Lead Grey
(i) Curtain walling glass spandrel panels Colour: Alaska Grey (RAL 7000) (r1) Colour: Merlin Grey (RAL 190 40 05) (r2)	(q) Flat roofing - Single ply membrane system, Colour: Light Grey
(s) Engineering brick plinth Colour: Staffordshire Slate Blue Smooth (from Ibstock)	(r) Profilite glass cladding system
(t) Flat paint / PPC finish Colour: Albatross (RAL 240 80 05)	(s) Rooflights
(u) Metal trapezoidal profile roof cladding Colour: Anthracite (RAL 7016)	(t) Polycarbonate wall and roof panels Colour: Clear
	(v) Galvanised steel

Note: All materials, finishes and colours will be as stated or similar approved.

PROJECT		FORD CIRCULAR TECHNOLOGY PARK	
DRAWING		Fuel Tank and Abblue Elevations	
FOR PLANNING	-	20/06/10	Issued for planning
1:50@A1, 1:100@A3	SCALE	20/06/10	DATE
1404 PL358	DWG. NO.	-	REVISION

GSDA
GARRY STEWART DESIGN ASSOCIATES
Highlands House, Office 300A, 165 The Broadway, Wimbledon, London, SW19 1NE
T. 020 8544 8085