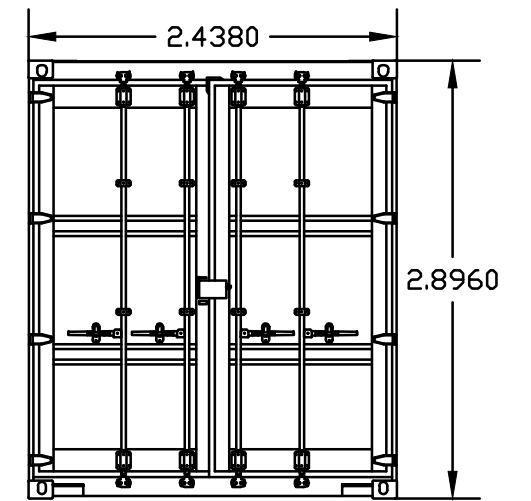
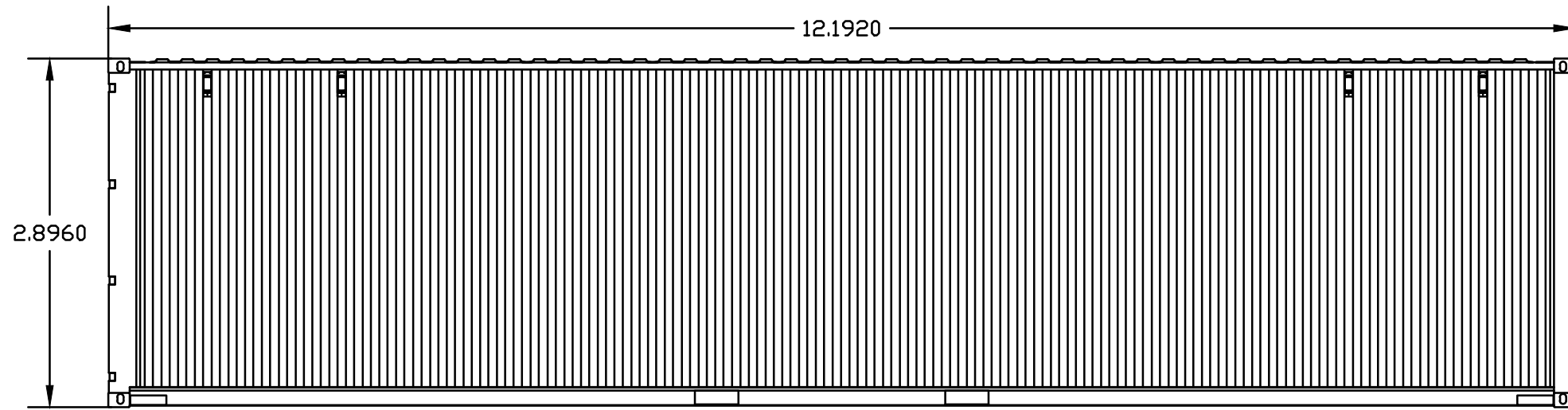


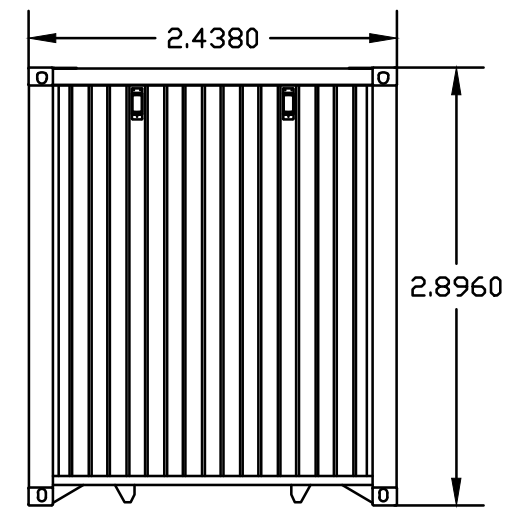
West Elevation



South Elevation




East Elevation



North Elevation

Reproduced from Superplan Data © (scale-free) by permission of Ordnance Survey © on behalf of The Controller of Her Majesty's Stationery Office. © Crown copyright 2006 all rights reserved. Licence number 100036438.

REV.	DATE	DRAWN	DESCRIPTION
THIS INFORMATION IS CONFIDENTIAL AND THE PROPERTY OF BIFFA WASTE SERVICES LTD. AND IS RELEASED ON CONDITION THAT NONE OF THE INFORMATION SHALL BE DISCLOSED TO ANY THIRD PARTY OR REPRODUCED IN WHOLE OR PART WITHOUT THE PRIOR CONSENT IN WRITING OF BIFFA WASTE SERVICES LTD.			
			
<small> Biffa Waste Services Ltd Redhill Landfill Site Cormoners Lane, Nutfield, Redhill RH1 4ER Tel: 01737 766042 Mob: 07921 386021 E-mail phil.mumford@biffa.co.uk </small>			
PROJECT		Planning	
LOCATION		Worthing HWRC	
DRAWING TITLE Proposed Storage Container Elevations			
DRAWING No.		COMPUTER REF. WWB0.30500	
DRAWN	PM	DATE	07.09.23
		SCALE(S)	1:50 @A3