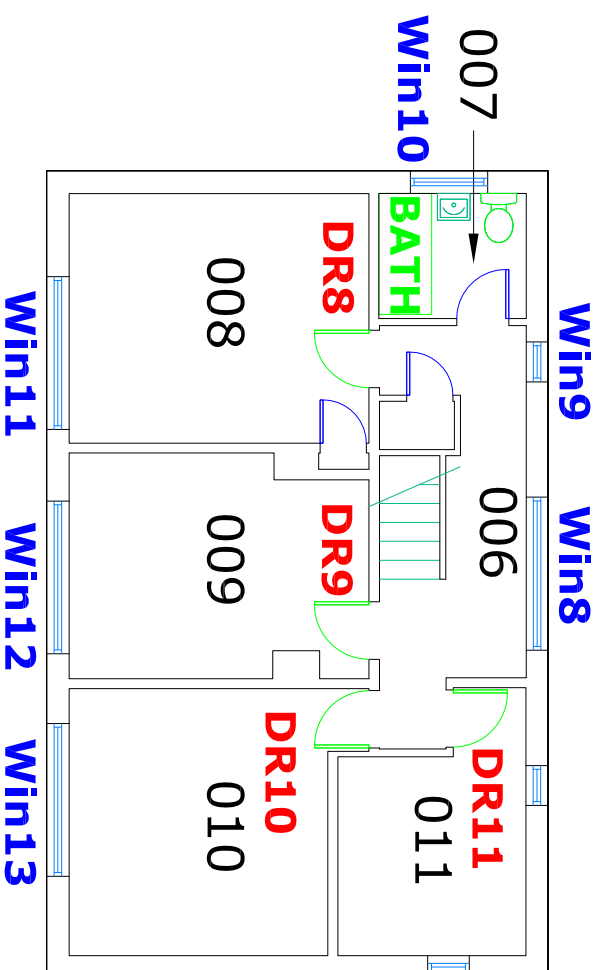


Proposed Ground Floor Layout



Proposed First Floor Layout

Room No	Room Use	Flooring	Lighting	Decoration
001	Lobby	Polysafe Wood FX Vinyl. Product: Eton Oak Parquet	5x Downlights	Dulux Diamond Eggshell. Colour: White Mist
002	WC	Polysafe Wood FX Vinyl. Product: Eton Oak Parquet	Downlights	Dulux Diamond Eggshell. Colour: White Mist
003	Kitchen	Polysafe Wood FX Vinyl. Product: Eton Oak Parquet	Downlights	Dulux Diamond Eggshell. Colour: White Mist
004	Office	Polysafe Wood FX Vinyl. Product: Eton Oak Parquet	Downlights	Dulux Diamond Eggshell. Colour: White Mist
005	Lounge	Polysafe Wood FX Vinyl. Product: Eton Oak Parquet	Downlights	Dulux Diamond Eggshell. Colour: White Mist
006	Stairs & Landing	Polysafe Wood FX Vinyl. Product: Eton Oak Parquet	Downlights	Dulux Diamond Eggshell. Colour: White Mist
007	Bathroom	Polysafe Quattro PUR. Product: Slate Haze	Downlights	Dulux Diamond Eggshell. Colour: White Mist
008	Bedroom 1	Polysafe Wood FX Vinyl. Product: Eton Oak Parquet	Downlights	Dulux Diamond Eggshell. Colour: White Mist
009	Bedroom 2	Polysafe Wood FX Vinyl. Product: Eton Oak Parquet	Downlights	Dulux Diamond Eggshell. Colour: White Mist
010	Bedroom 3	Polysafe Wood FX Vinyl. Product: Eton Oak Parquet	Downlights	Dulux Diamond Eggshell. Colour: White Mist
011	Store & Server room (TBC)	No Change	No Change	Dulux Diamond Eggshell. Colour: White Mist

Flooring, Lighting & Decorating Schedule

Door Schedule

Door Reference	Works Required
DR1	Existing front door to remain, works required to allow door to swing outwards
DR2	New FD30s fire door & frame to be installed
DR3	New Solid core door
DR4	Existing rear door to remain, works required to allow door to swing outwards
DR5	New FD30s fire door & frame to be installed
DR6	New FD30s fire door & frame to be installed
DR7	New FD30s fire door & frame to be installed
DR8	New FD30s fire door & frame to be installed
DR9	New FD30s fire door & frame to be installed
DR10	New FD30s fire door & frame to be installed
DR11	New FD30s fire door & frame to be installed

Window Schedule

Window Reference	Works Required
Win1	Safety film install
Win2	Safety film install
Win3	Safety film install
Win4	Safety film install
Win5	Safety film install
Win6	Safety film install
Win7	Safety film install
Win8	Safety film install & Window restrictors
Win9	Safety film install & Window restrictors
Win10	Safety film install & Window restrictors
Win11	Safety film install & Window restrictors
Win12	Safety film install & Window restrictors
Win13	Safety film install & Window restrictors

All dimensions to be checked on site before work commences.

		Proposed Layout Plans No.41 Ardsheal Road Worthing BN14 7RN	
Property Services, The Tannery Westgate, Chichester PO19 3RJ Tel. 01243 752290	Drawing number PLAN 1 CAD filename Sheet 4/7	Date 04/08/23 Edition 1st	Maint. area 9 Scale 1:100@A3